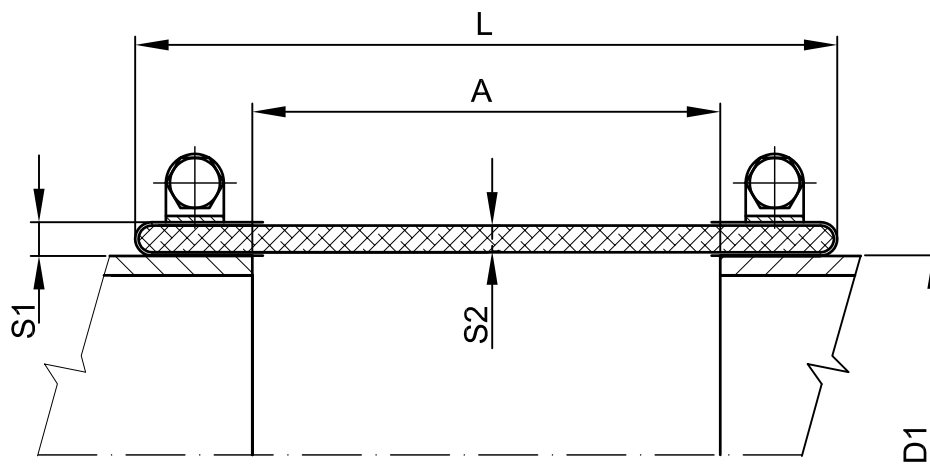


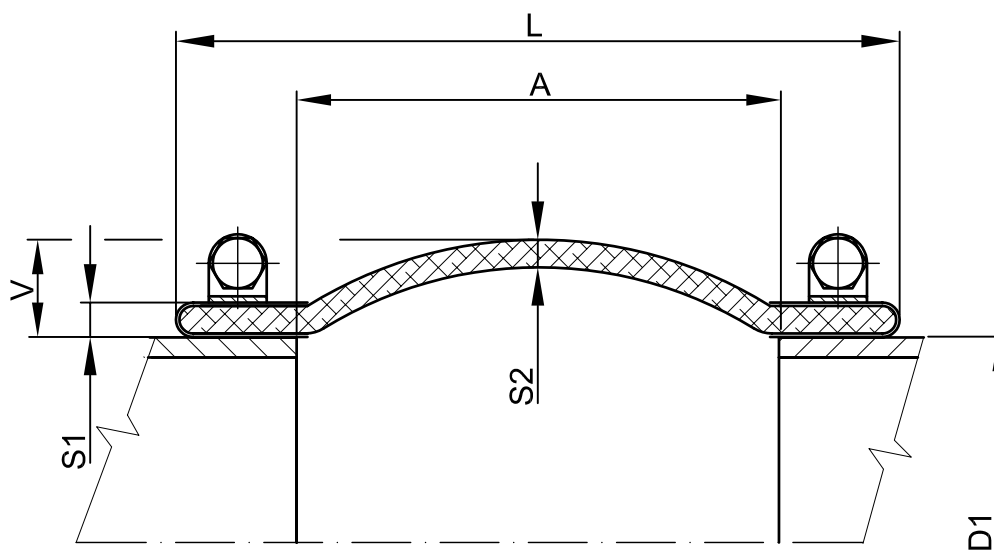
## Drawing List of Standard Types

| Page | Description   |
|------|---|
| 12   | Typ A 1.0, A 2.0  |
| 13   | Typ A 3.0, A 4.0  |
| 14   | Typ AB 2.0, B 1.0   |
| 15   | Typ B 1i.0, B 2i.0  |
| 16   | Typ B 2.0, B 3.0  |
| 17   | Typ B 4.0, separate pre-insulation for expansion joints Type C                            |
| 18   | Gripping types for pre-insulation by weld-on piercing mandrels                            |
| 19   | Typ C 1.0, C1i.0  |
| 20   | Typ C 2.0, C 2i.0   |
| 21   | Typ C 2i.0.N, C 2i.0.P  |
| 22   | Typ C 2i.M, C 2i.S.P  |
| 23   | Typ RA 1.0, RA 2.0  |
| 24   | Typ RAB 1.0, RAB 2.0  |
| 25   | Typ RB 1.0, RB 2.0  |
| 26   | Typ M 1.0, M 2.0  |
| 27   | Model of flow liners usage – weld-on flow liner, flanged flow liner                       |
| 28   | Model of flow liners usage – double flanged flow liner, flanged flow liner & leading edge |
| 29   | Model of flow liners usage – swimming flow liner, weld-on flow liner & leading edge       |
| 30   | Weld-on flow liner – circular, angular  |
| 31   | Flanged flow liner – circular, angular  |
| 32   | Flange- – circular, angular   |
| 33   | Pressure flange   |
| 34   | Leading edge  |



Type A 1.0

Expansion joints designation: Type A 1.0 - without flow liner  
 Type A 1.1 - with weld-on flow liner  
 Type A 1.4 - with leading edge



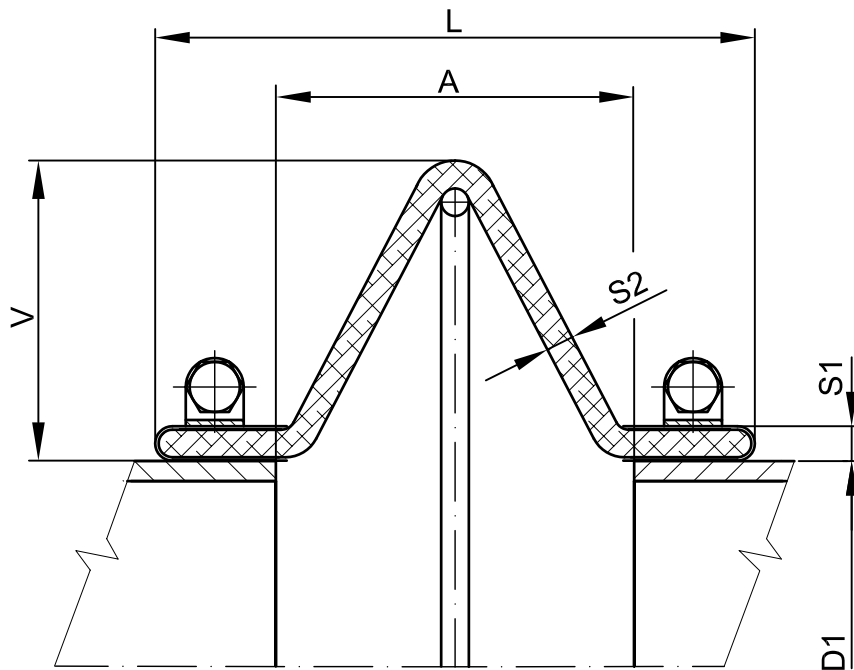
Type A 2.0

Expansion joints designation: Type A 2.0 - without flow liner  
 Type A 2.1 - with weld-on flow liner  
 Type A 2.4 - with leading edge

**kompaflex-DMM**  
  
 potrubné elementy spol. s r.o.

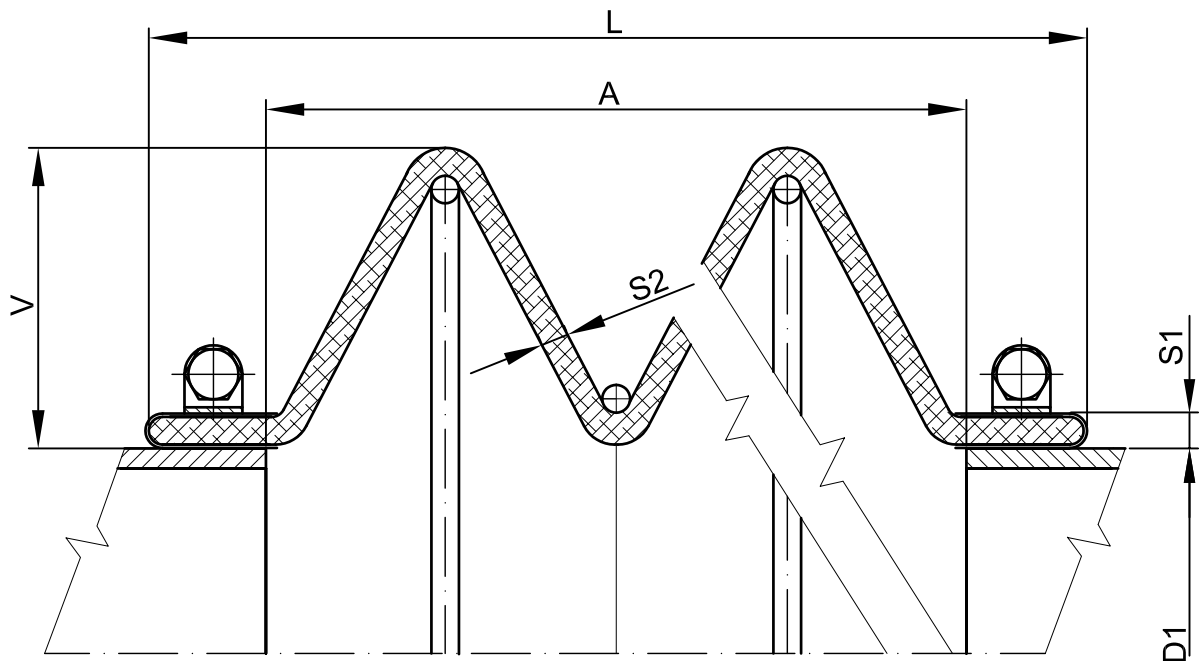
Kompaflex - D.M.M.  
 potrubné elementy spol. s r.o.  
 Lenardova 6  
 851 01 Bratislava  
 Slovenská republika

Prevádzka:  
 Eliášovce č. 6, 930 38 Nový Život  
 tel: +421 (0)31 569 2201, -1134, -1135  
 fax: +421 (0)31 569 2434  
 E-mail: info@kompaflex-dmm.sk  
 www.kompaflex-dmm.sk



Type A 3.0

Expansion joints designation: Type A 3.0 - without flow liner  
 Type A 3.1 - with weld-on flow liner  
 Type A 3.4 - with leading edge



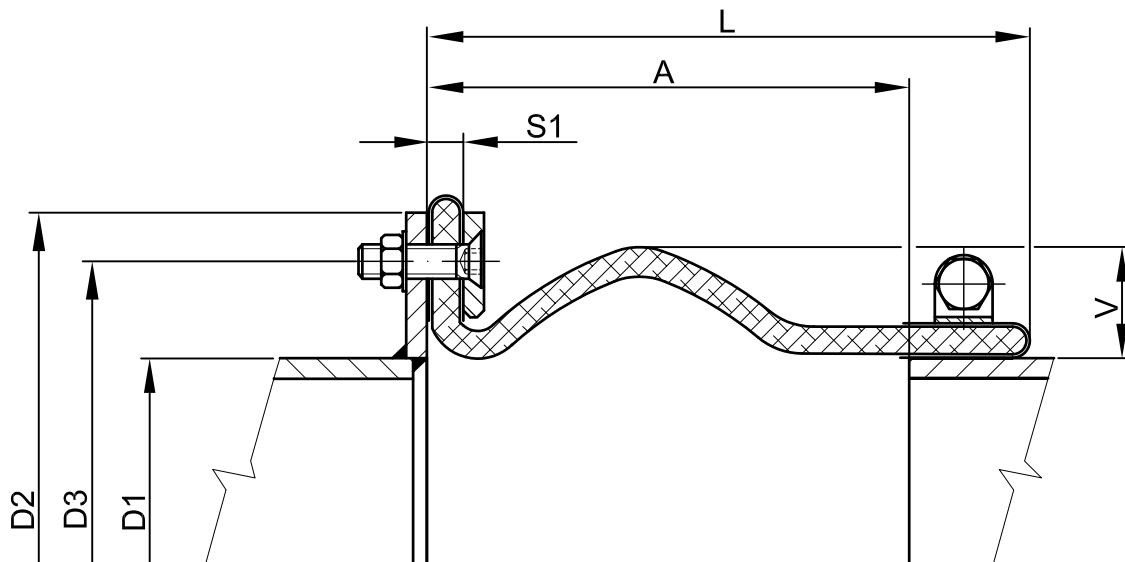
Type A 4.0

Expansion joints designation: Type A 4.0 - without flow liner  
 Type A 4.1 - with weld-on flow liner  
 Type A 4.4 - with leading edge

**kompaflex-DMM**  
  
 potrubné elementy spol. s r.o.

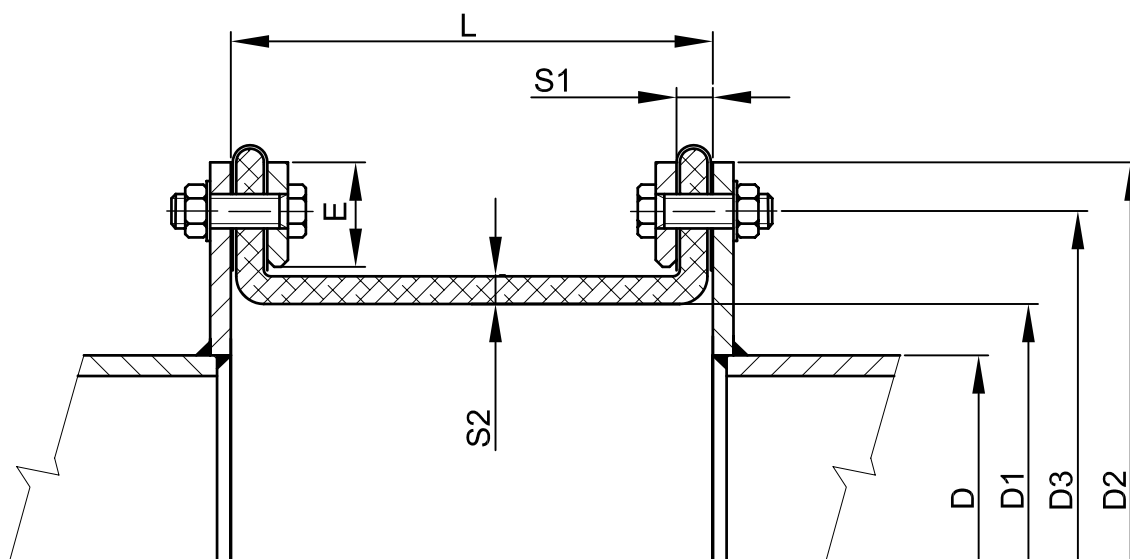
Kompaflex - D.M.M.  
 potrubné elementy spol. s r.o.  
 Lenardova 6  
 851 01 Bratislava  
 Slovenská republika

Prevádzka:  
 Eliášovce č. 6, 930 38 Nový Život  
 tel: +421 (0)31 569 2201, -1134, -1135  
 fax: +421 (0)31 569 2434  
 E-mail: info@kompaflex-dmm.sk  
 www.kompaflex-dmm.sk



Type AB 2.0

Expansion joints designation: Type AB 2.0 - without flow liner  
 Type AB 2.1 - with weld-on flow liner  
 Type AB 2.2 - with flanged flow liner  
 Type AB 2.4 - with flanged flow liner and leading edge



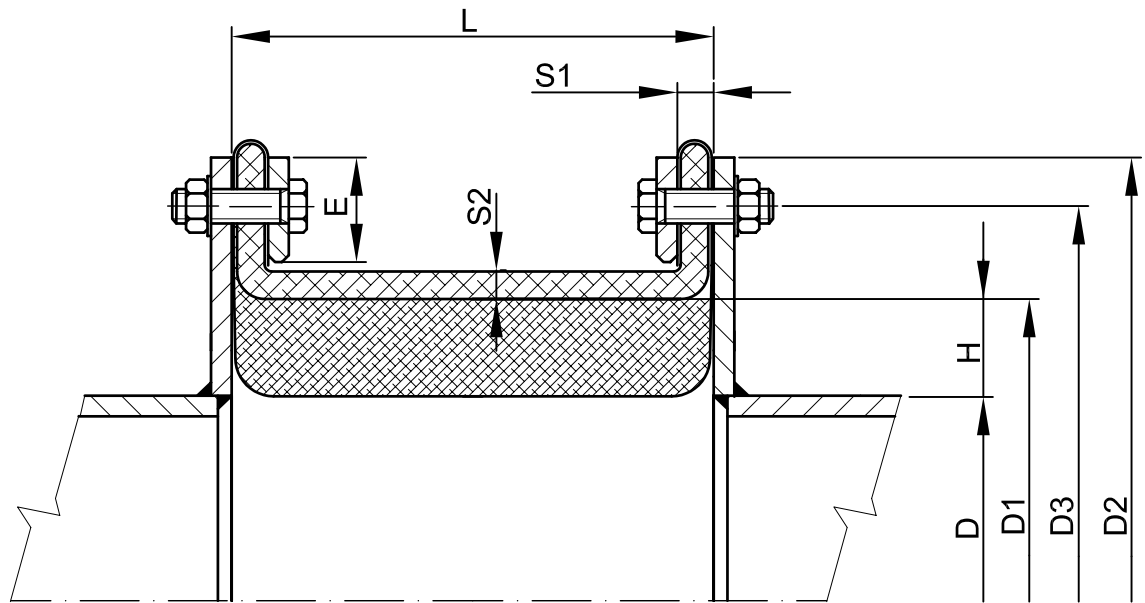
Type B 1.0

Expansion joints designation: Type B 1.0 - without flow liner  
 Type B 1.1 - with weld-on flow liner  
 Type B 1.2 - with flanged flow liner  
 Type B 1.3 - with double flanged flow liner  
 Type B 1.4 - with flanged flow liner and leading edge

**kompaflex-DMM**  
  
 potrubné elementy spol. s r.o.

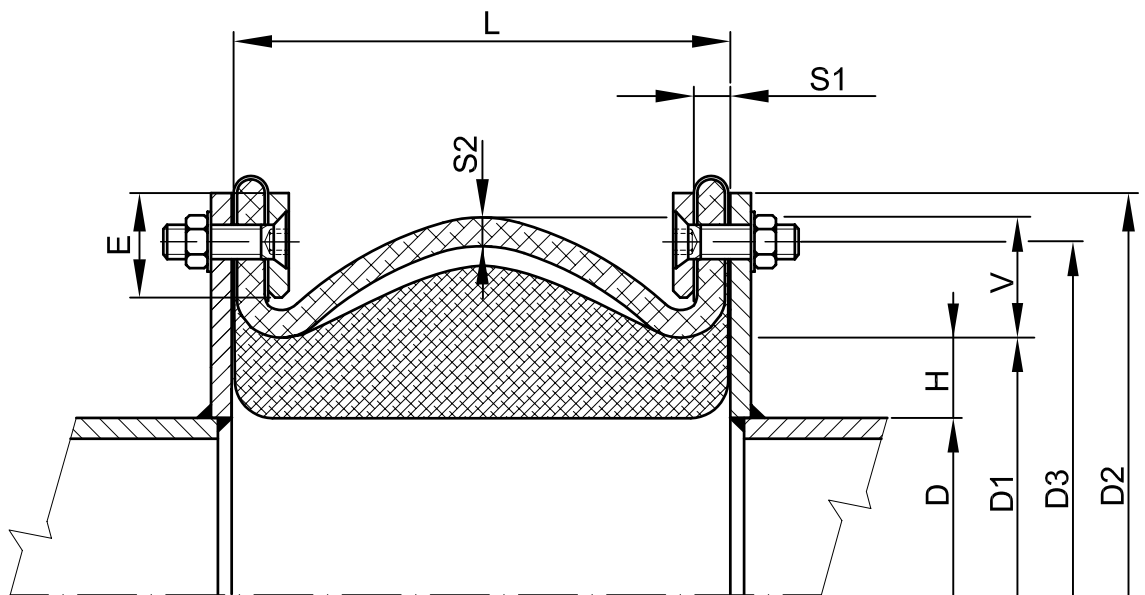
Kompaflex - D.M.M.  
 potrubné elementy spol. s r.o.  
 Lenardova 6  
 851 01 Bratislava  
 Slovenská republika

Prevádzka:  
 Eliášovce č. 6, 930 38 Nový Život  
 tel: +421 (0)31 569 2201, -1134, -1135  
 fax: +421 (0)31 569 2434  
 E-mail: info@kompaflex-dmm.sk  
 www.kompaflex-dmm.sk



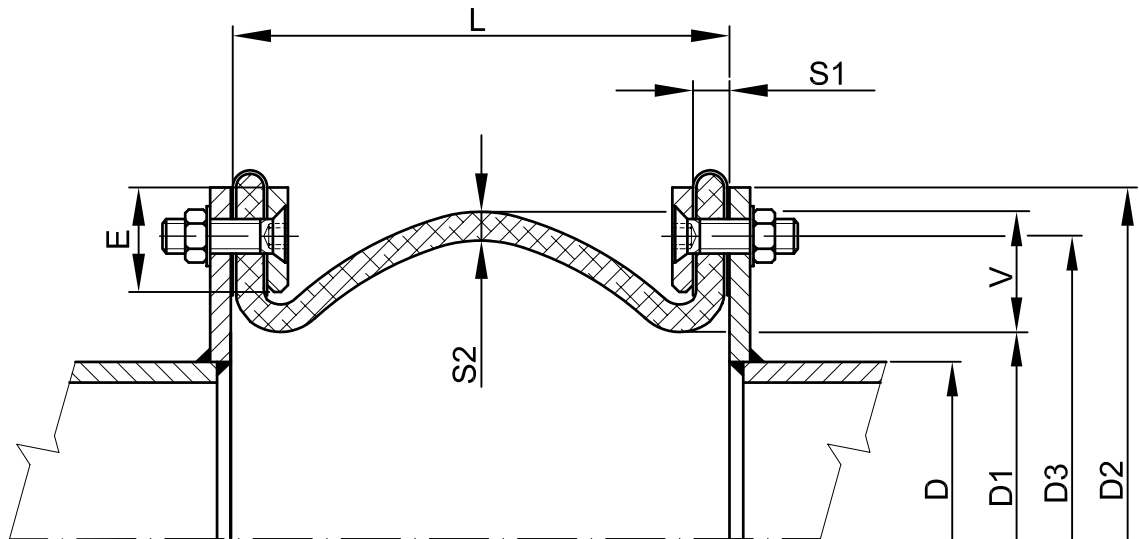
Type B 1i.0

Expansion joints designation: Type B 1i.0 - without flow liner  
 Type B 1i.1 - with weld-on flow liner  
 Type B 1i.2 - with flanged flow liner  
 Type B 1i.3 - with double flanged flow liner  
 Type B 1i.4 - with flanged flow liner and leading edge



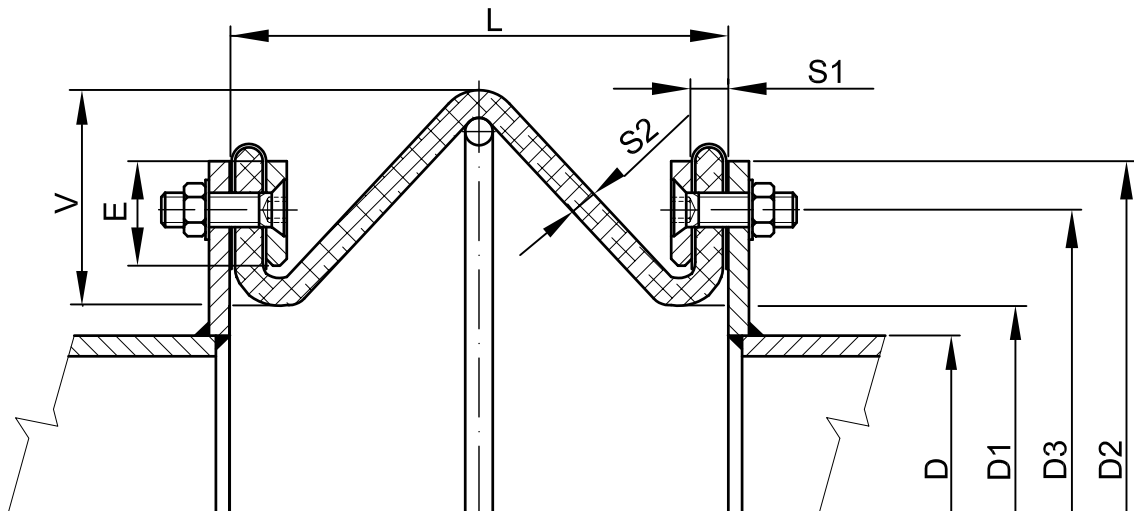
Type B 2i.0

Expansion joints designation: Type B 2i.0 - without flow liner  
 Type B 2i.1 - with weld-on flow liner  
 Type B 2i.2 - with flanged flow liner  
 Type B 2i.3 - with double flanged flow liner  
 Type B 2i.4 - with flanged flow liner and leading edge



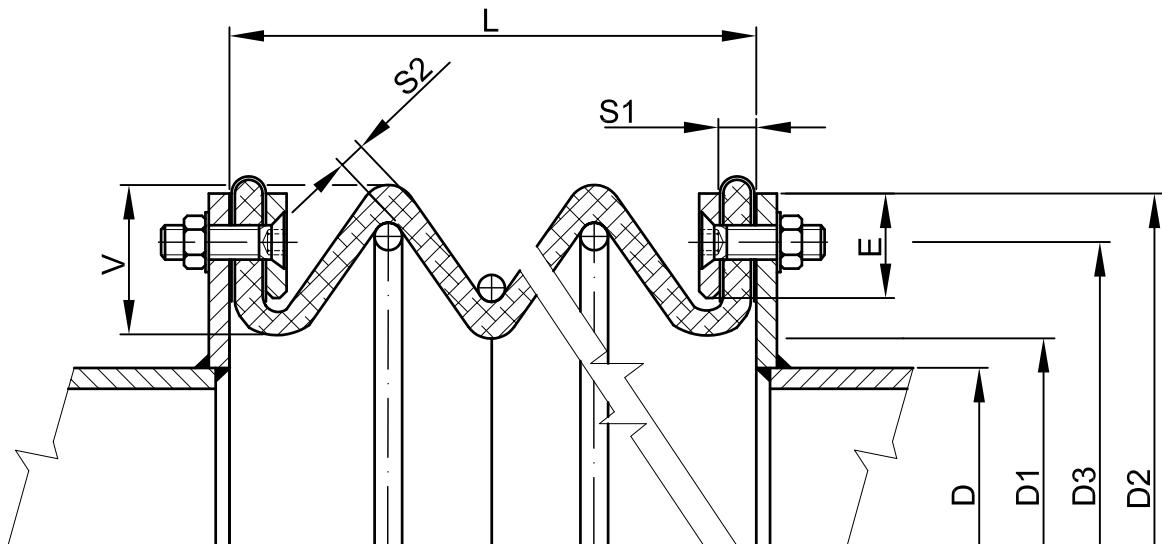
Type B 2.0

- Expansion joints designation:
- Type B 2.0 - without flow liner
  - Type B 2.1 - with weld-on flow liner
  - Type B 2.2 - with flanged flow liner
  - Type B 2.3 - with double flanged flow liner
  - Type B 2.4 - with flanged flow liner and leading edge



Type B 3.0

- Expansion joints designation:
- Type B 3.0 - without flow liner
  - Type B 3.1 - with weld-on flow liner
  - Type B 3.2 - with flanged flow liner
  - Type B 3.3 - with double flanged flow liner
  - Type B 3.4 - with flanged flow liner and leading edge



Type B 4.0

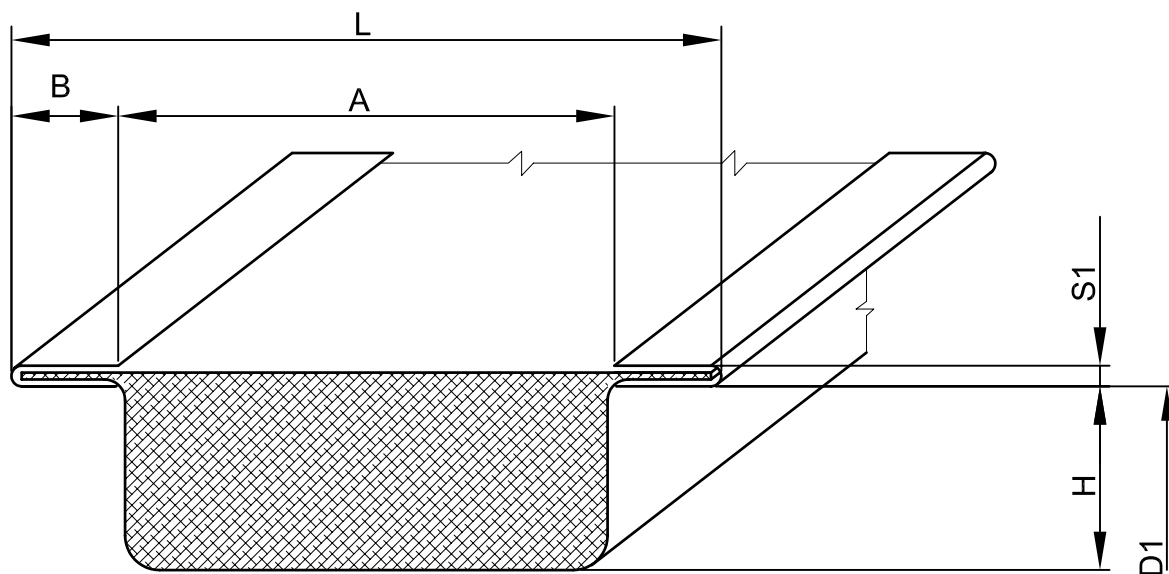
Expansion joints designation: Type B 4.0 - without flow liner

Type B 4.1 - with weld-on flow liner

Type B 4.2 - with flanged flow liner

Type B 4.3 - with double flanged flow liner

Type B 4.4 - with flanged flow liner and leading edge



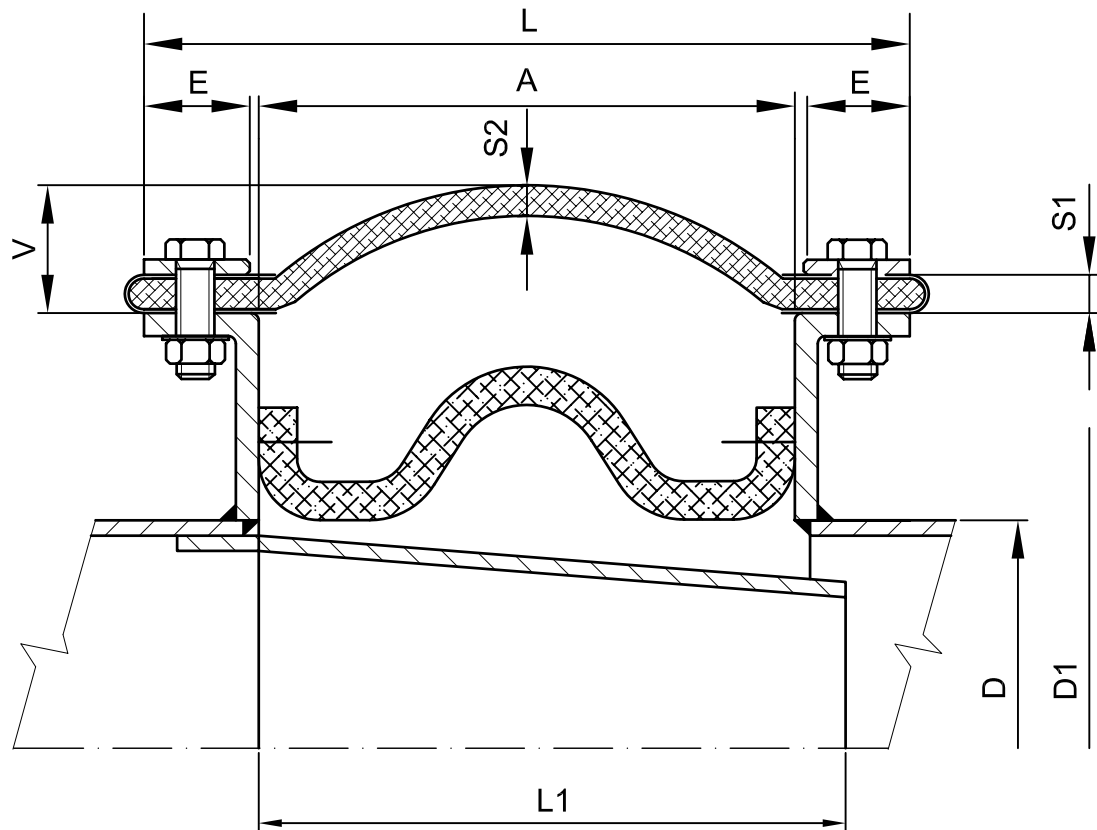
Separate pre-insulation for expansion joints Type C

**kompaflex-DMM**  
  
**potrubné elementy spol. s r.o.**

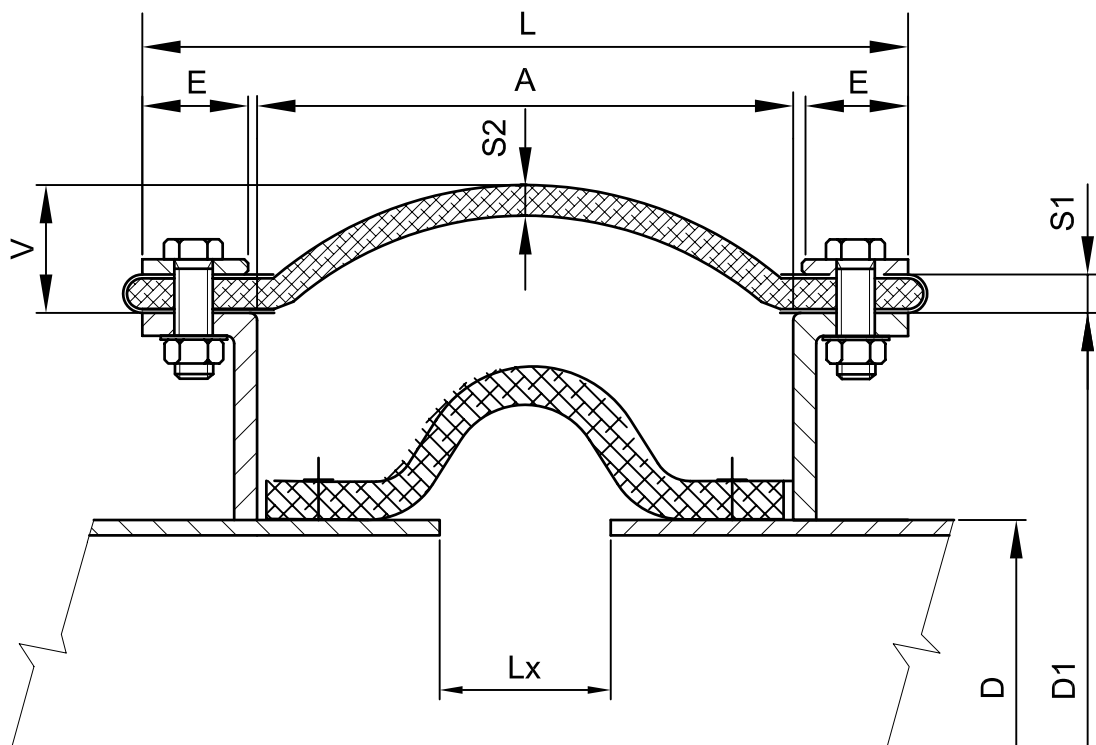
Kompaflex - D.M.M.  
 potrubné elementy spol. s r.o.  
 Lenardova 6  
 851 01 Bratislava  
 Slovenská republika

Prevádzka:  
 Eliášovce č. 6, 930 38 Nový Život  
 tel: +421 (0)31 569 2201, -1134, -1135  
 fax: +421 (0)31 569 2434  
 E-mail: info@kompaflex-dmm.sk  
 www.kompaflex-dmm.sk

Gripping types for pre-insulation by weld-on piercing mandrels



U shape pre-insulation sheet guyed by mandrels on flanges



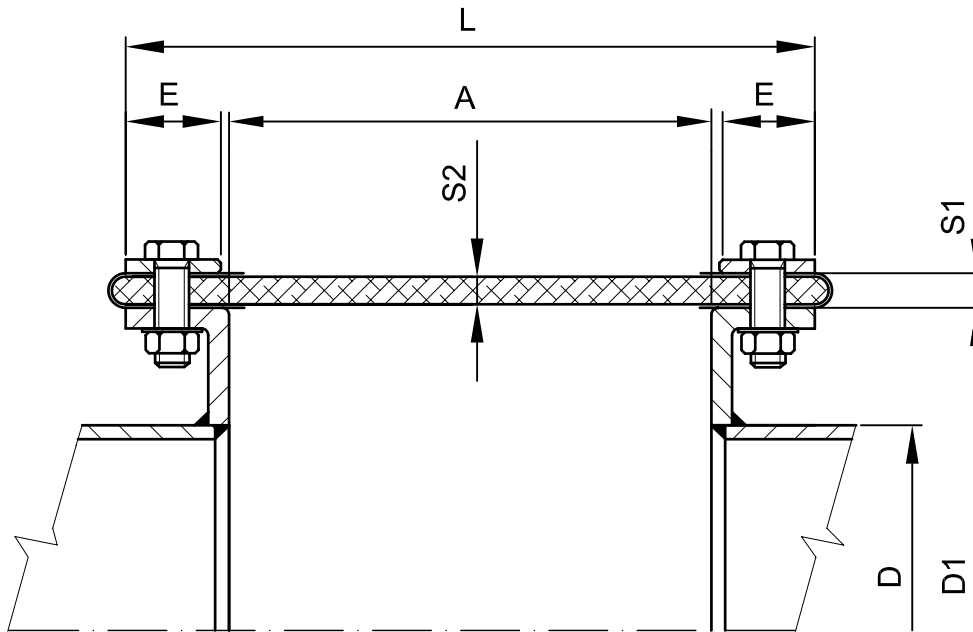
Simple pre-insulation sheet guyed by mandrels on pipe canal

**kompaflex-DMM**  
  
**potrubné elementy spol. s r.o.**

Kompaflex - D.M.M.  
 potrubné elementy spol. s r.o.  
 Lenardova 6  
 851 01 Bratislava  
 Slovenská republika

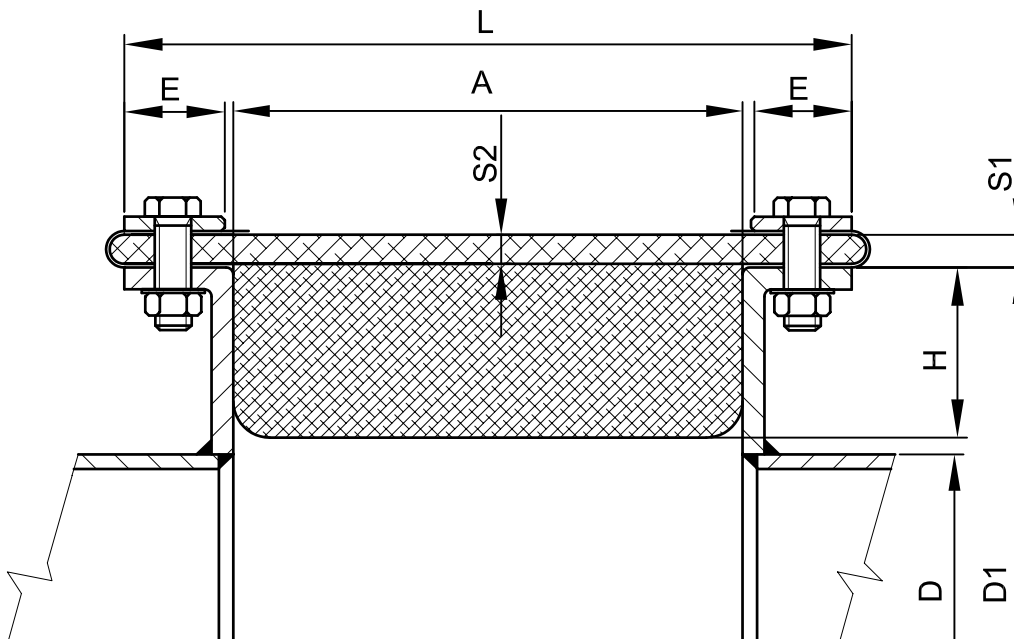
Prevádzka:  
 Eliášovce č. 6, 930 38 Nový Život  
 tel: +421 (0)31 569 2201, -1134, -1135  
 fax: +421 (0)31 569 2434  
 E-mail: info@kompaflex-dmm.sk  
 www.kompaflex-dmm.sk





Type C 1.0

Expansion joints designation: Type C 1.0 - without flow liner  
 Type C 1.1 - with weld-on flow liner  
 Type C 1.4 - with weld-on flow liner and leading edge



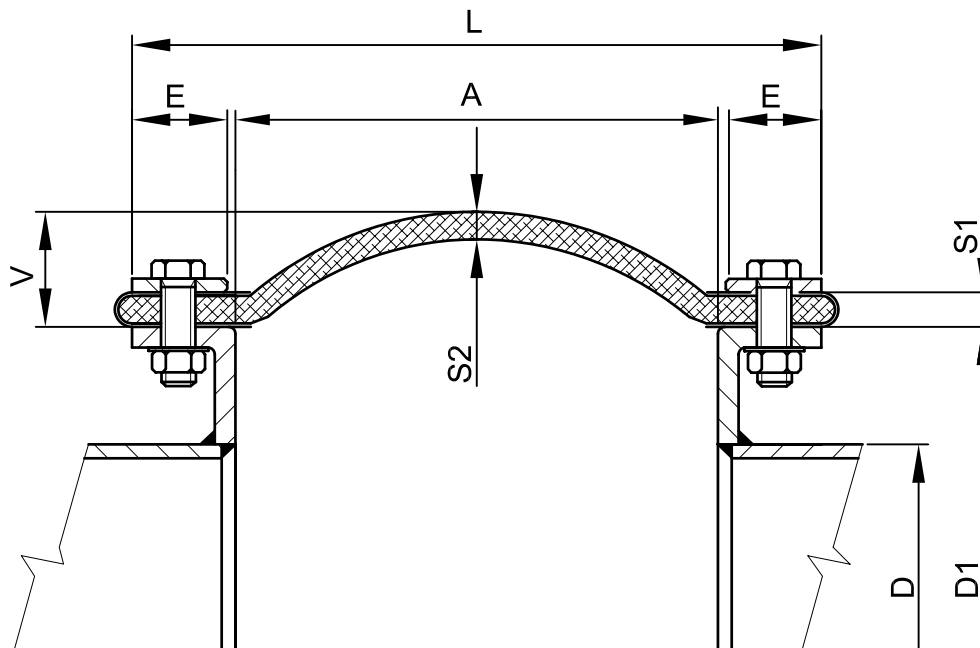
Type C 1i.0

Expansion joints designation: Type C 1i.0 - without flow liner  
 Type C 1i.1 - with weld-on flow liner  
 Type C 1i.4 - with weld-on flow liner and leading edge

**kompaflex-DMM**  
  
 potrubné elementy spol. s r.o.

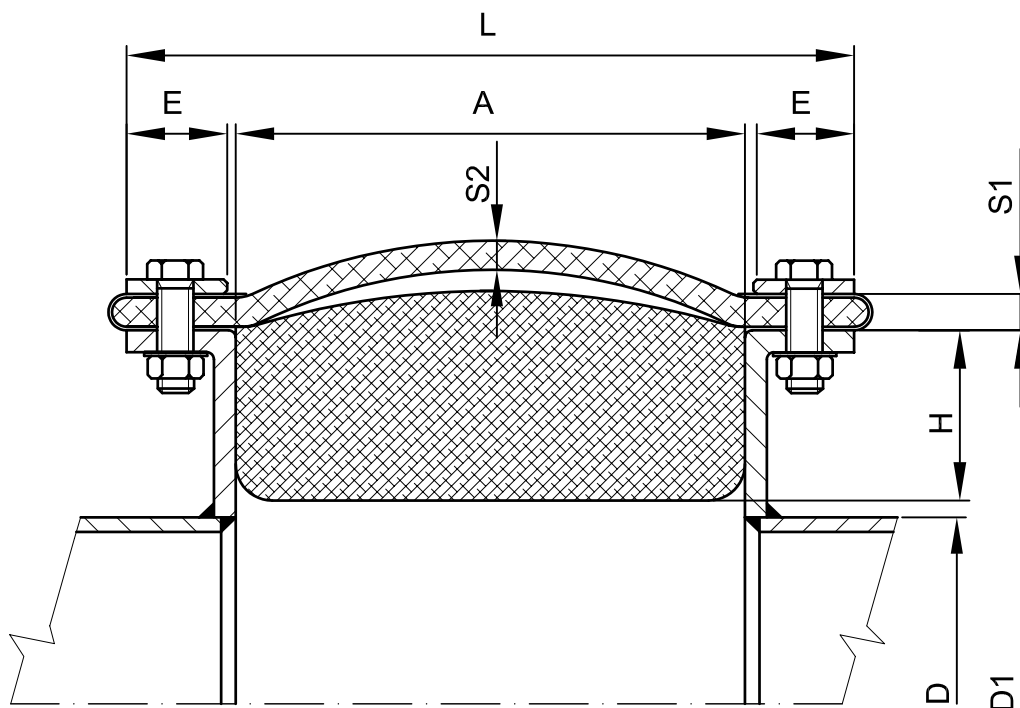
Kompaflex - D.M.M.  
 potrubné elementy spol. s r.o.  
 Lenardova 6  
 851 01 Bratislava  
 Slovenská republika

Prevádzka:  
 Eliášovce č. 6, 930 38 Nový Život  
 tel: +421 (0)31 569 2201, -1134, -1135  
 fax: +421 (0)31 569 2434  
 E-mail: info@kompaflex-dmm.sk  
 www.kompaflex-dmm.sk



Type C 2.0

Expansion joints designation: Type C 2.0 - without flow liner  
 Type C 2.1 - with weld-on flow liner  
 Type C 2.4 - with weld-on flow liner and leading edge



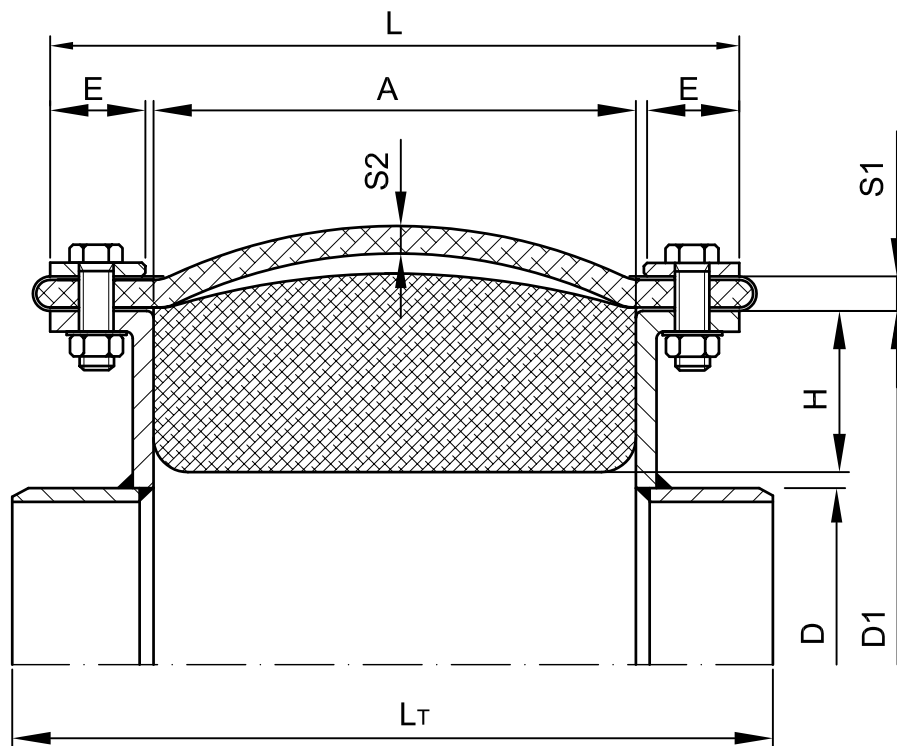
Type C 2i.0

Expansion joints designation: Type C 2i.0 - without flow liner  
 Type C 2i.1 - with weld-on flow liner  
 Type C 2i.4 - with weld-on flow liner and leading edge

**kompaflex-DMM**  
  
 potrubné elementy spol. s r.o.

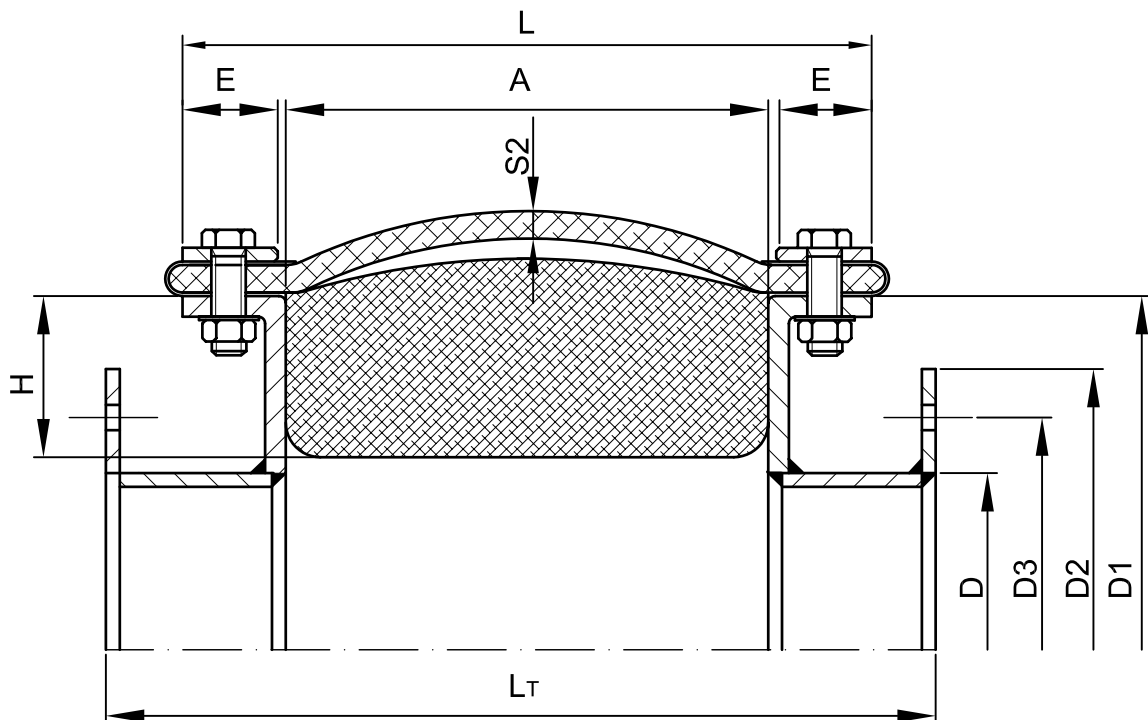
Kompaflex - D.M.M.  
 potrubné elementy spol. s r.o.  
 Lenardova 6  
 851 01 Bratislava  
 Slovenská republika

Prevádzka:  
 Eliášovce č. 6, 930 38 Nový Život  
 tel: +421 (0)31 569 2201, -1134, -1135  
 fax: +421 (0)31 569 2434  
 E-mail: info@kompaflex-dmm.sk  
 www.kompaflex-dmm.sk



Type C 2i.0.N

Expansion joints designation: Type C 2i.0.N - without flow liner  
 Type C 2i.1.N - with weld-on flow liner  
 Type C 2i.4.N - with weld-on flow liner and leading edge  
 Type C 2i.5.N - with swimming flow liner



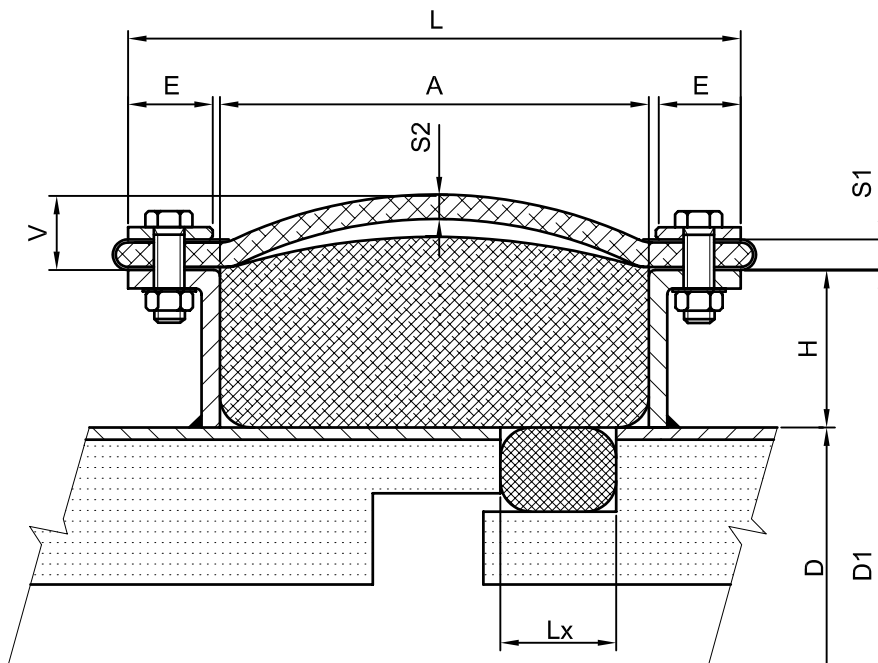
Type C 2i.0.P

Expansion joints designation: Type C 2i.0.P - without flow liner  
 Type C 2i.1.P - with weld-on flow liner  
 Type C 2i.4.P - with weld-on flow liner and leading edge  
 Type C 2i.5.P - with swimming flow liner

**kompaflex-DMM**  
  
 potrubné elementy spol. s r.o.

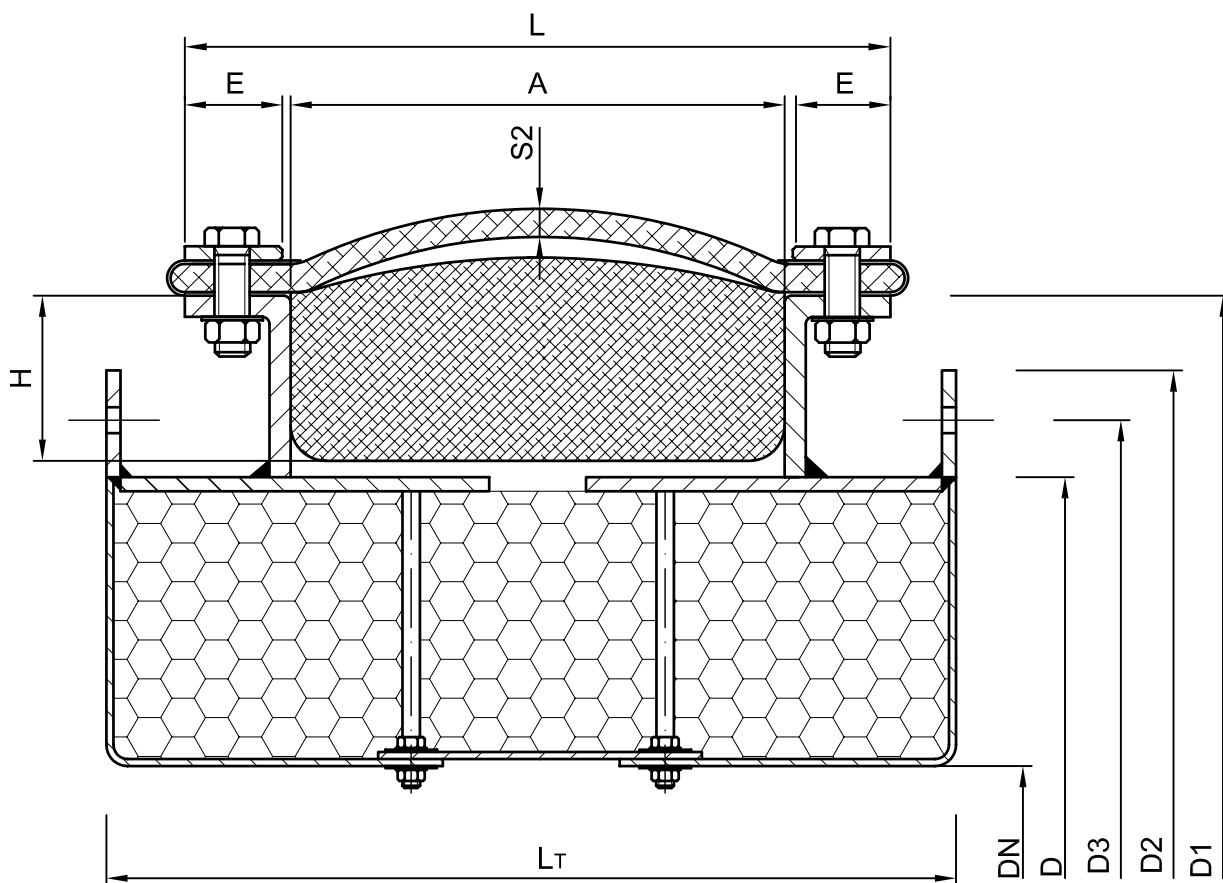
Kompaflex - D.M.M.  
 potrubné elementy spol. s r.o.  
 Lenardova 6  
 851 01 Bratislava  
 Slovenská republika

Prevádzka:  
 Eliášovce č. 6, 930 38 Nový Život  
 tel: +421 (0)31 569 2201, -1134, -1135  
 fax: +421 (0)31 569 2434  
 E-mail: info@kompaflex-dmm.sk  
 www.kompaflex-dmm.sk



Expansion joint with inner furring of the pipe canal

Type C 2i.M



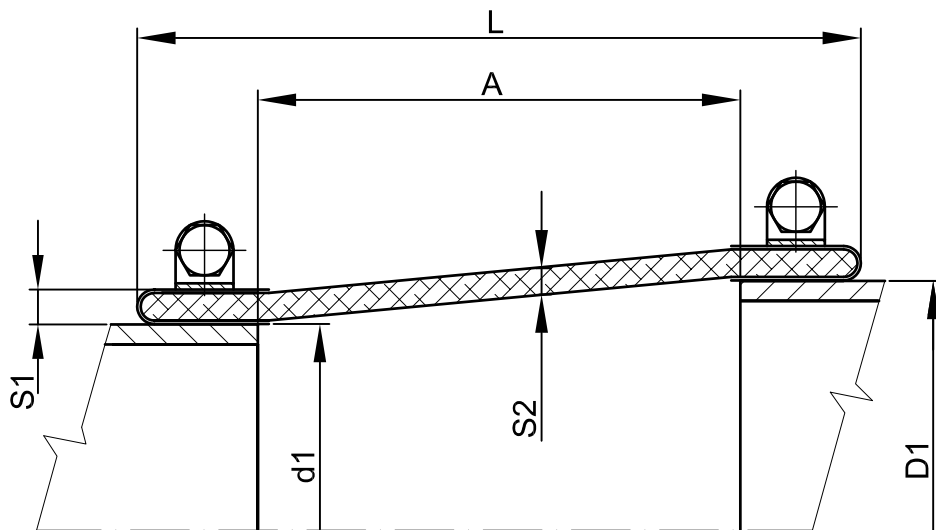
Expansion joint with inner insulation of pipe canal

Type C 2i.S.P

**kompaflex-DMM**  
  
**potrubné elementy spol. s r.o.**

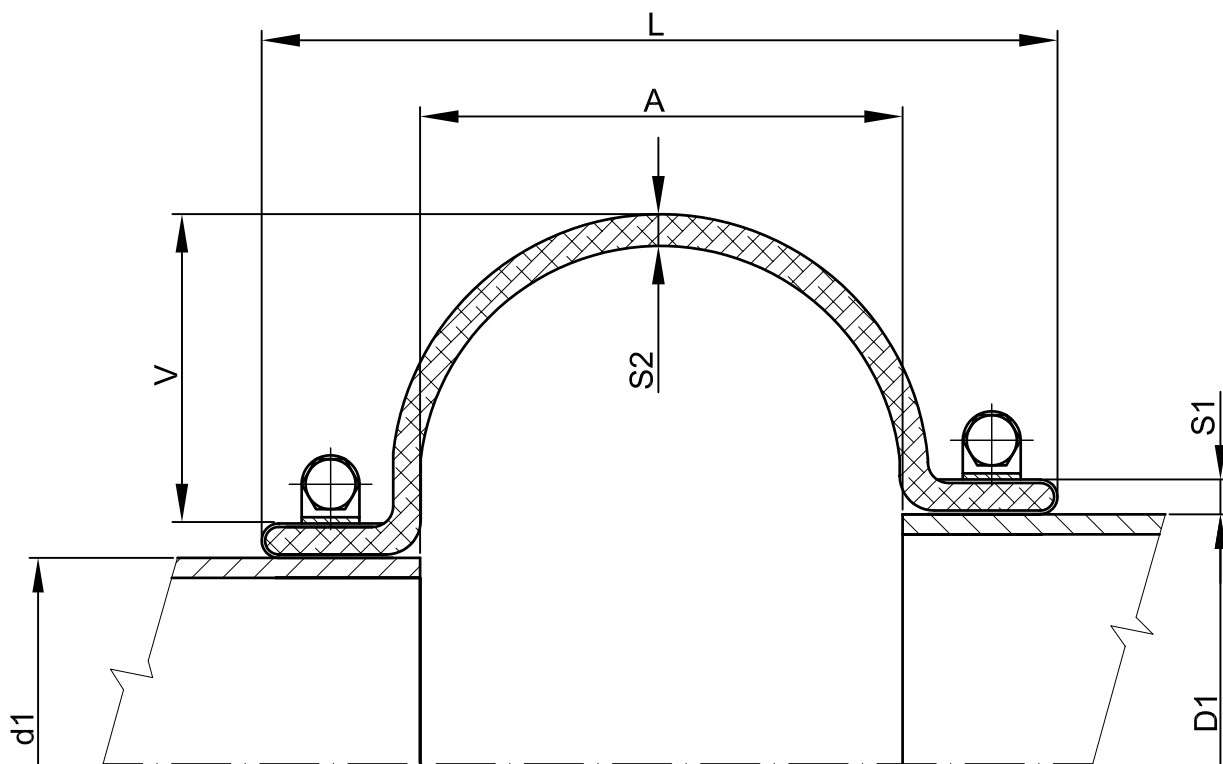
Kompaflex - D.M.M.  
 potrubné elementy spol. s r.o.  
 Lenardova 6  
 851 01 Bratislava  
 Slovenská republika

Prevádzka:  
 Eliášovce č. 6, 930 38 Nový Život  
 tel: +421 (0)31 569 2201, -1134, -1135  
 fax: +421 (0)31 569 2434  
 E-mail: info@kompaflex-dmm.sk  
 www.kompaflex-dmm.sk



Type RA 1.0

Expansion joints designation: Type RA 1.0 - without flow liner  
 Type RA 1.1 - with weld-on flow liner  
 Type RA 1.4 - with weld-on flow liner and leading edge



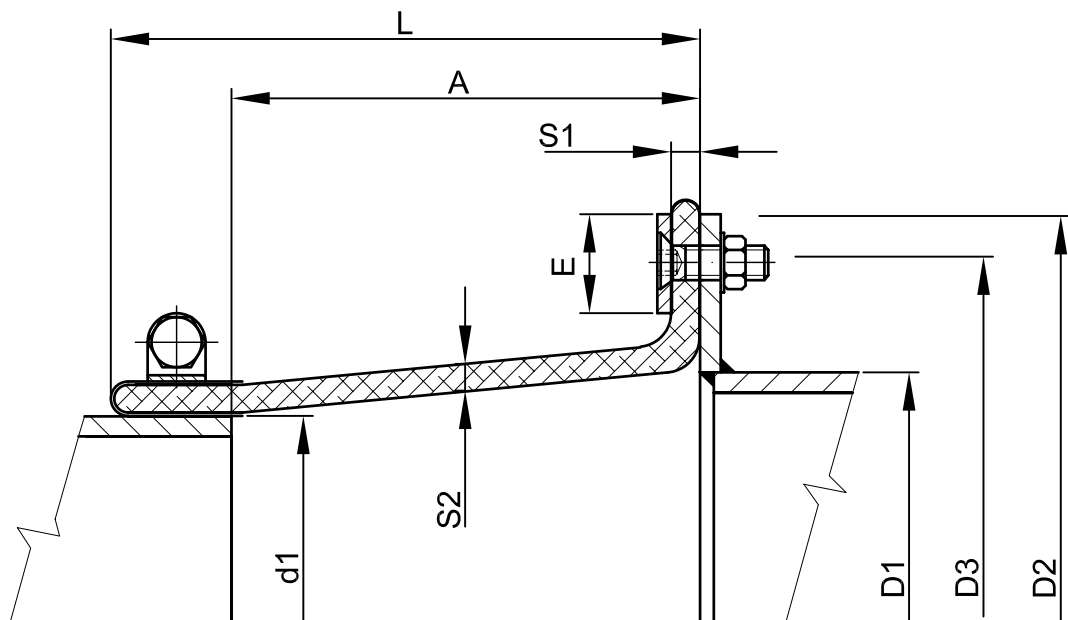
Type RA 2.0

Expansion joints designation: Type RA 2.0 - without flow liner  
 Type RA 2.1 - with weld-on flow liner  
 Type RA 2.4 - with weld-on flow liner and leading edge

**kompaflex-DMM**  
  
 potrubné elementy spol. s r.o.

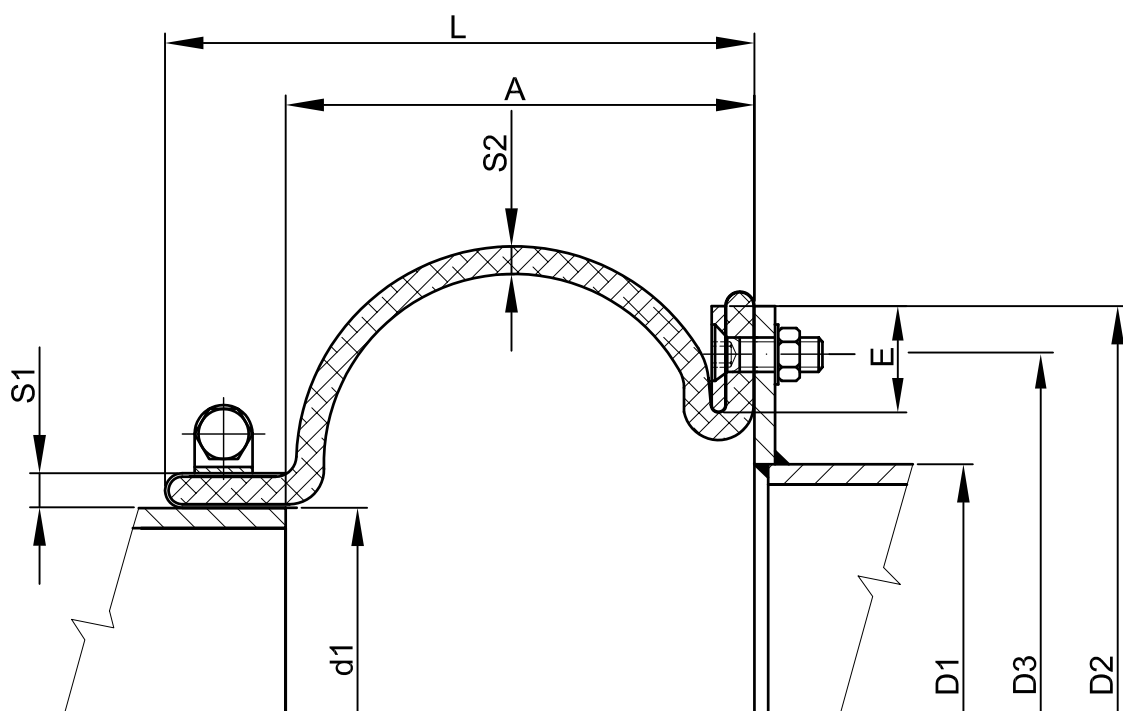
Kompaflex - D.M.M.  
 potrubné elementy spol. s r.o.  
 Lenardova 6  
 851 01 Bratislava  
 Slovenská republika

Prevádzka:  
 Eliášovce č. 6, 930 38 Nový Život  
 tel: +421 (0)31 569 2201, -1134, -1135  
 fax: +421 (0)31 569 2434  
 E-mail: info@kompaflex-dmm.sk  
 www.kompaflex-dmm.sk



Type RAB 1.0

Expansion joints designation: Type RAB 1.0 - without flow liner  
 Type RAB 1.1 - with weld-on flow liner  
 Type RAB 1.2 - with flanged flow liner  
 Type RAB 1.4 - with flow liner and leading edge



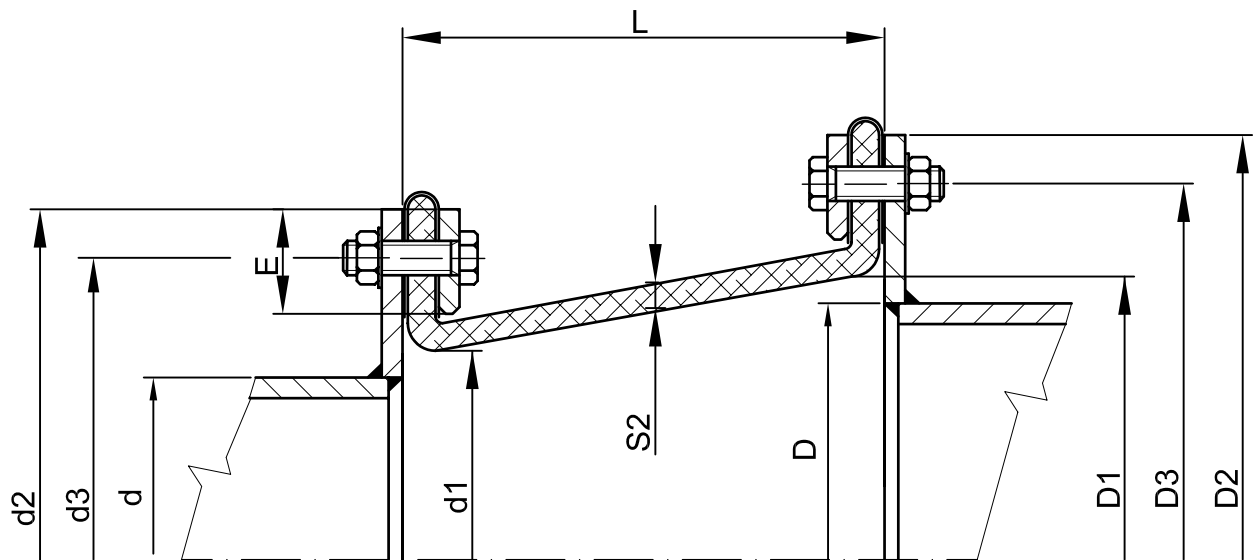
Type RAB 2.0

Expansion joints designation: Type RAB 2.0 - without flow liner  
 Type RAB 2.1 - with weld-on flow liner  
 Type RAB 2.2 - with flanged flow liner  
 Type RAB 3.4 - with flow liner and leading edge

**kompaflex-DMM**  
  
 potrubné elementy spol. s r.o.

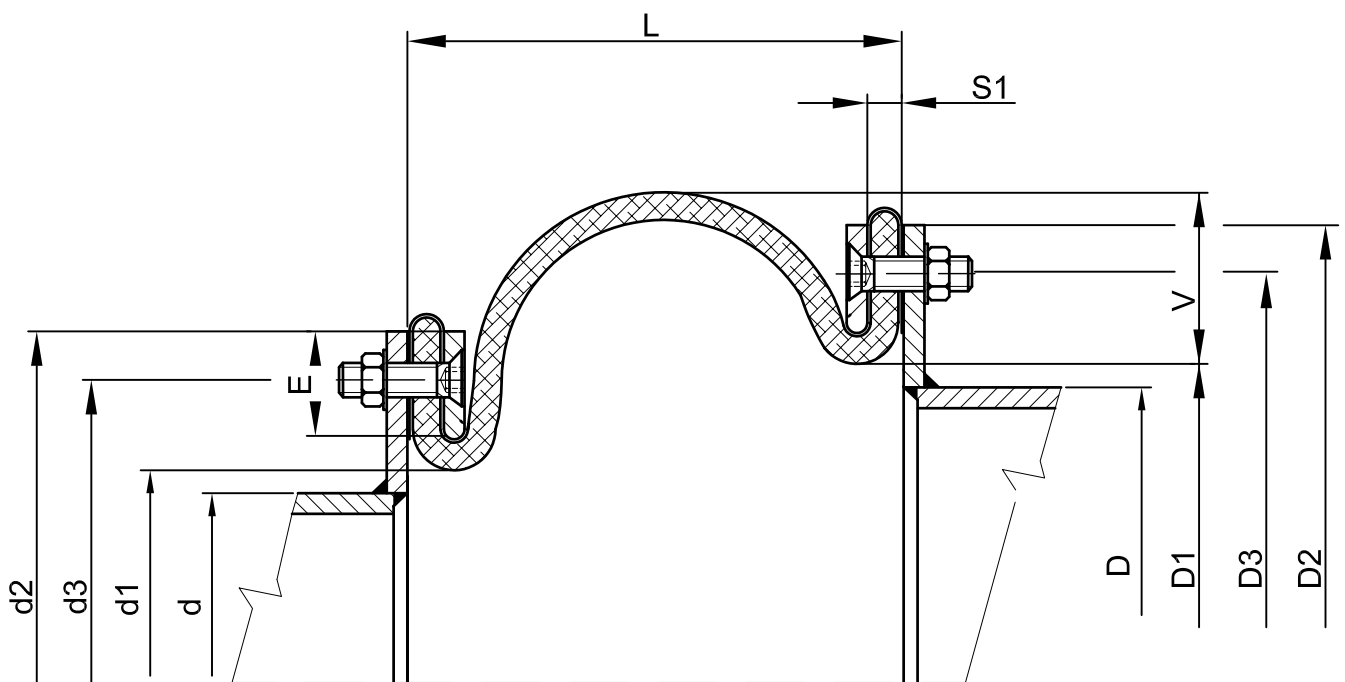
Kompaflex - D.M.M.  
 potrubné elementy spol. s r.o.  
 Lenardova 6  
 851 01 Bratislava  
 Slovenská republika

Prevádzka:  
 Eliášovce č. 6, 930 38 Nový Život  
 tel: +421 (0)31 569 2201, -1134, -1135  
 fax: +421 (0)31 569 2434  
 E-mail: info@kompaflex-dmm.sk  
 www.kompaflex-dmm.sk



Type RB 1.0

- Expansion joints designation:
- Type RB 1.0 - without flow liner
  - Type RB 1.1 - with weld-on flow liner
  - Type RB 1.2 - with flanged flow liner
  - Type RB 1.3 - with double flanged flow liner
  - Type RB 1.4 - with flanged flow liner and leading edge



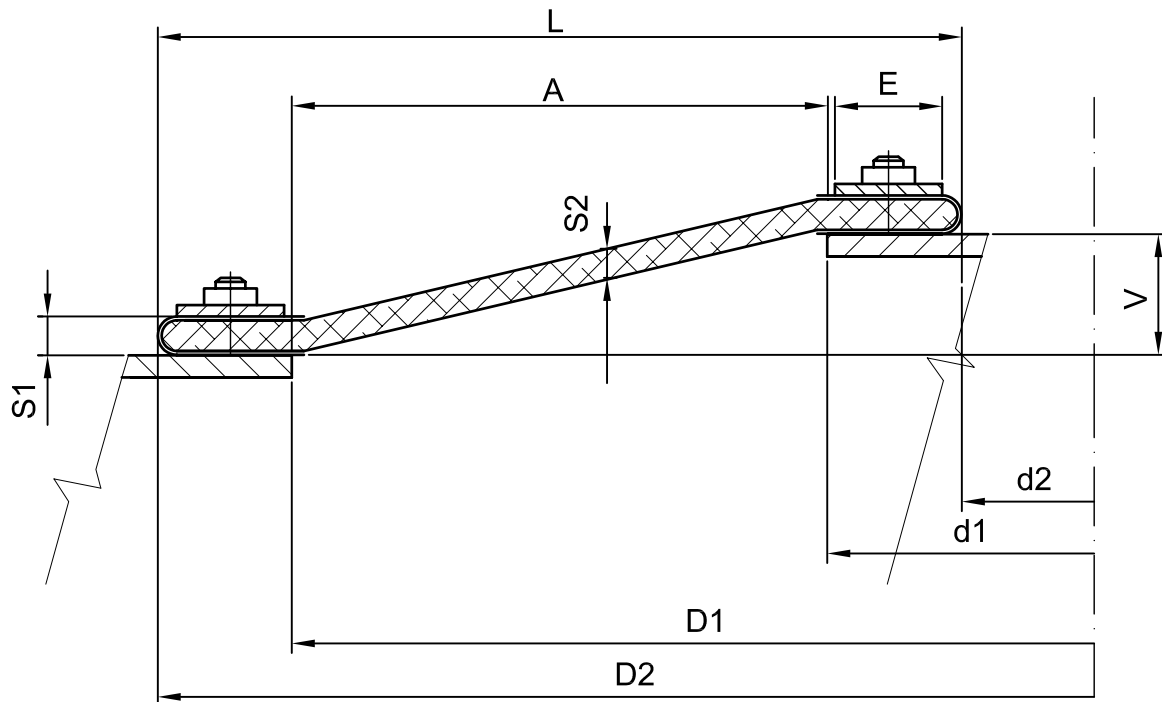
Type RB 2.0

- Expansion joints designation:
- Type RB 2.0 - without flow liner
  - Type RB 2.1 - with weld-on flow liner
  - Type RB 2.2 - with flanged flow liner
  - Type RB 2.3 - with double flanged flow liner
  - Type RB 2.4 - with flanged flow liner and leading edge

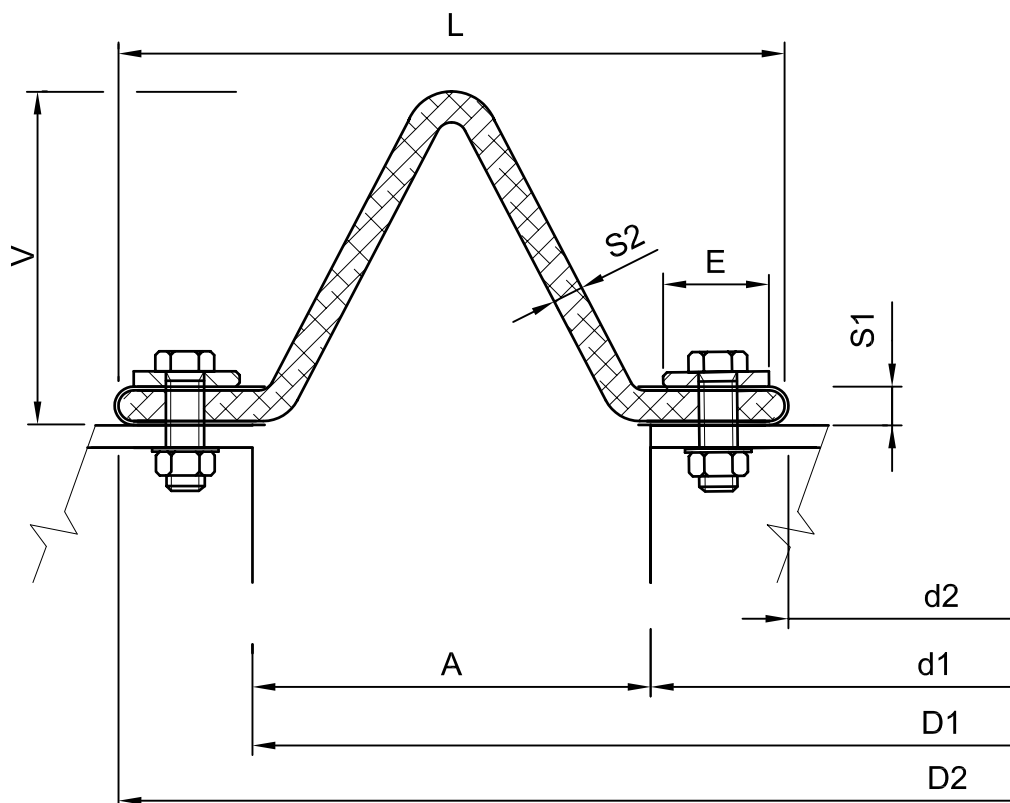
**kompaflex-DMM**  
  
**potrubné elementy spol. s r.o.**

Kompaflex - D.M.M.  
 potrubné elementy spol. s r.o.  
 Lenardova 6  
 851 01 Bratislava  
 Slovenská republika

Prevádzka:  
 Eliášovce č. 6, 930 38 Nový Život  
 tel: +421 (0)31 569 2201, -1134, -1135  
 fax: +421 (0)31 569 2434  
 E-mail: info@kompaflex-dmm.sk  
 www.kompaflex-dmm.sk



Type M 1.0



Type M 2.0

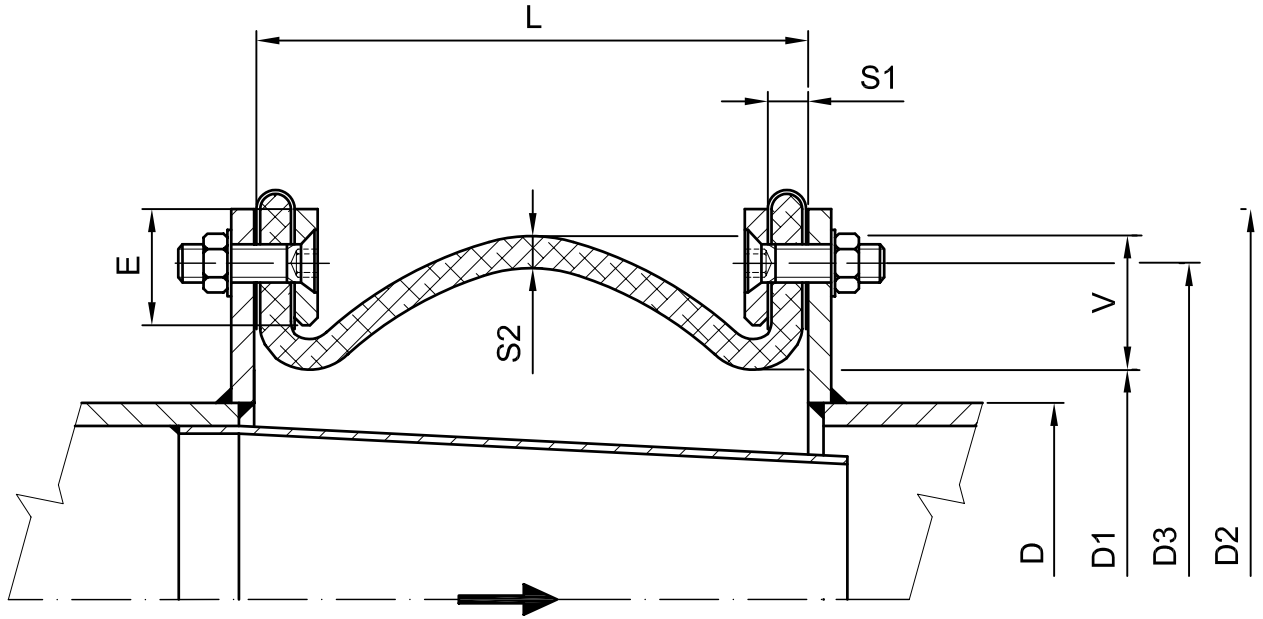
**kompaflex-DMM**  
  
**potrubné elementy spol. s r.o.**

Kompaflex - D.M.M.  
 potrubné elementy spol. s r.o.  
 Lenardova 6  
 851 01 Bratislava  
 Slovenská republika

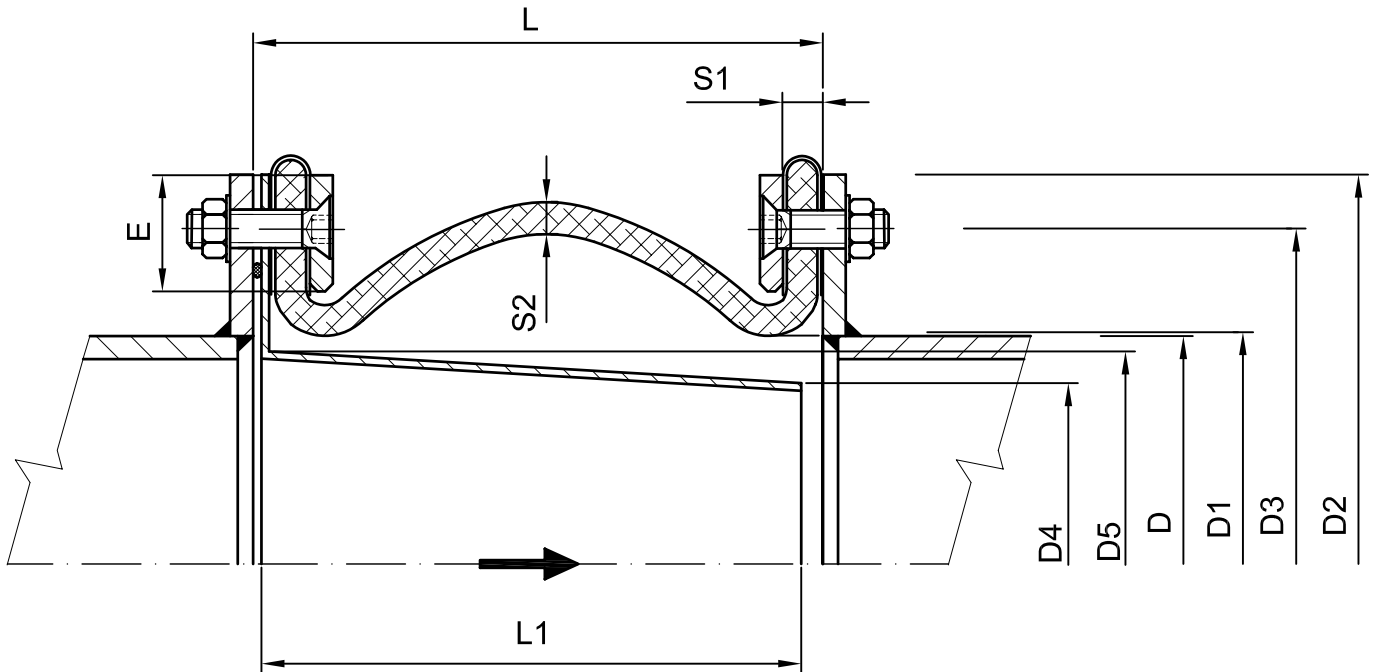
Prevádzka:  
 Eliášovce č. 6, 930 38 Nový Život  
 tel: +421 (0)31 569 2201, -1134, -1135  
 fax: +421 (0)31 569 2434  
 E-mail: info@kompaflex-dmm.sk  
 www.kompaflex-dmm.sk



Model of flow liners usage



Weld-on flow liner



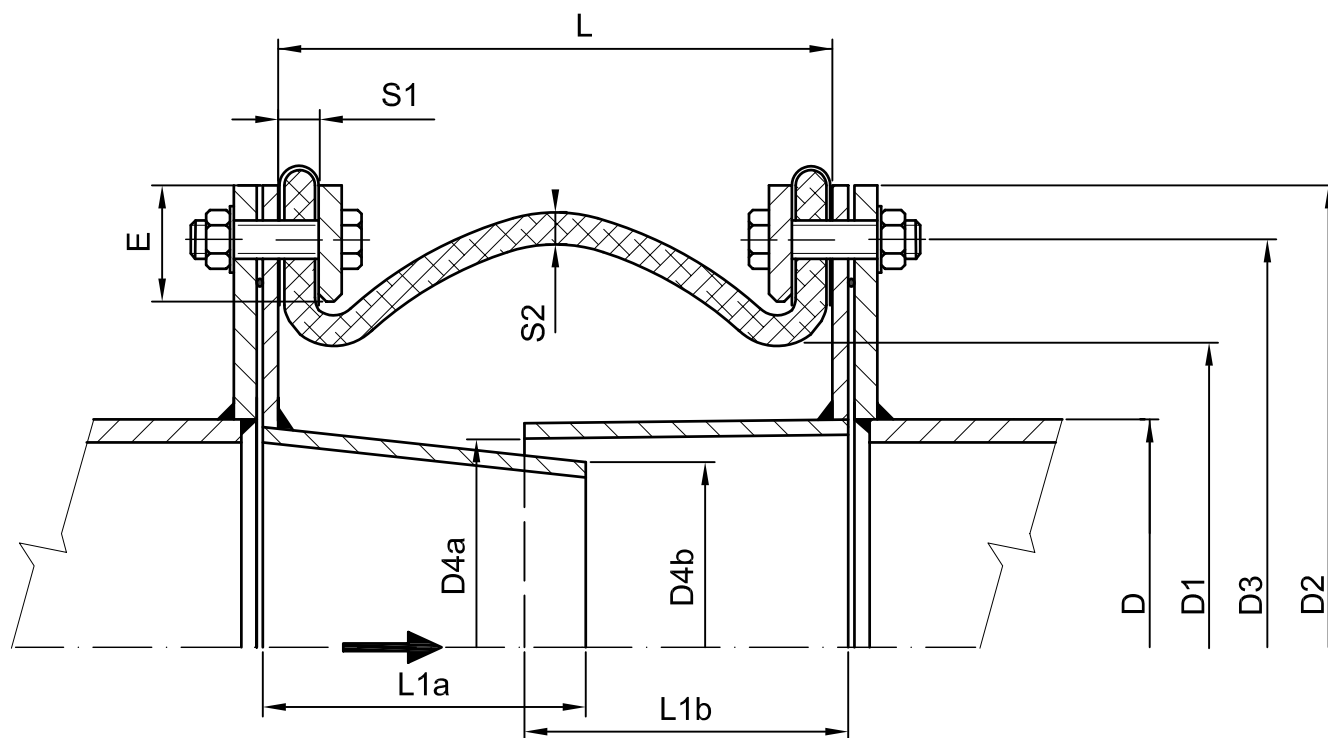
Flanged flow liner

**kompaflex-DMM**  
  
**potrubné elementy spol. s r.o.**

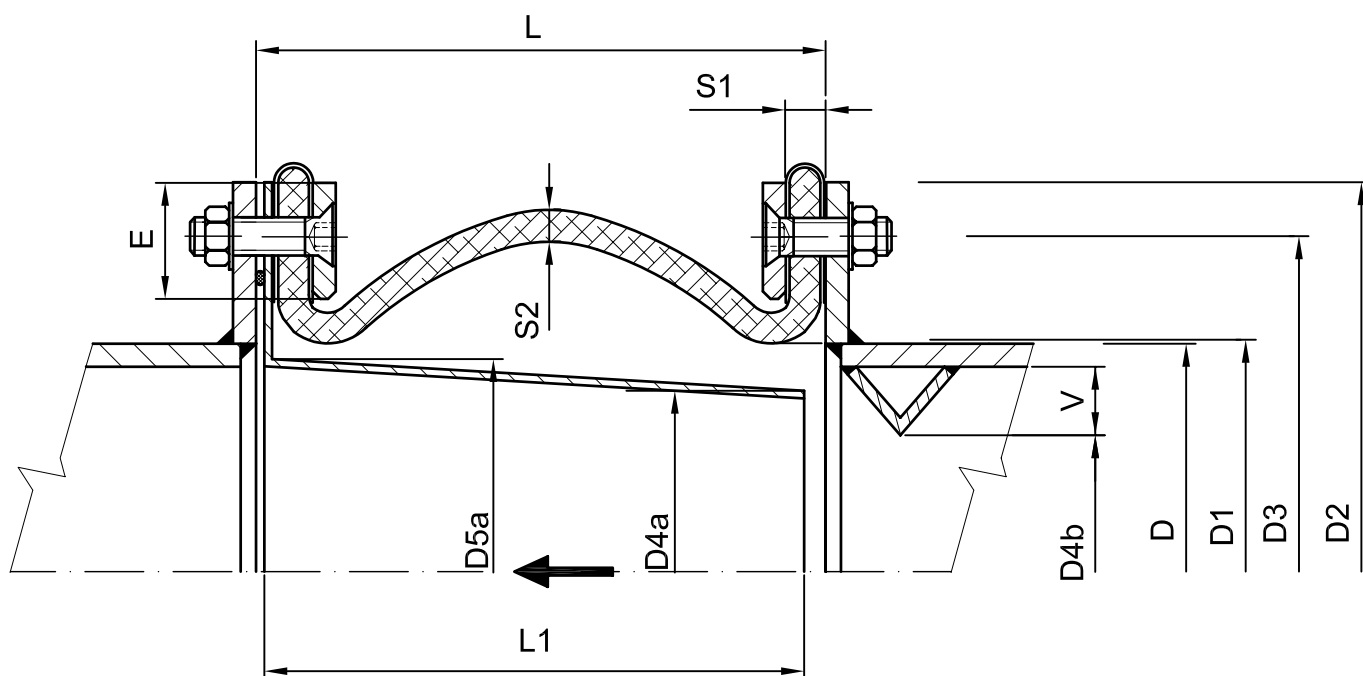
Kompaflex - D.M.M.  
 potrubné elementy spol. s r.o.  
 Lenardova 6  
 851 01 Bratislava  
 Slovenská republika

Prevádzka:  
 Eliášovce č. 6, 930 38 Nový Život  
 tel: +421 (0)31 569 2201, -1134, -1135  
 fax: +421 (0)31 569 2434  
 E-mail: info@kompaflex-dmm.sk  
 www.kompaflex-dmm.sk

Model of flow liners usage



Double flanged flow liner



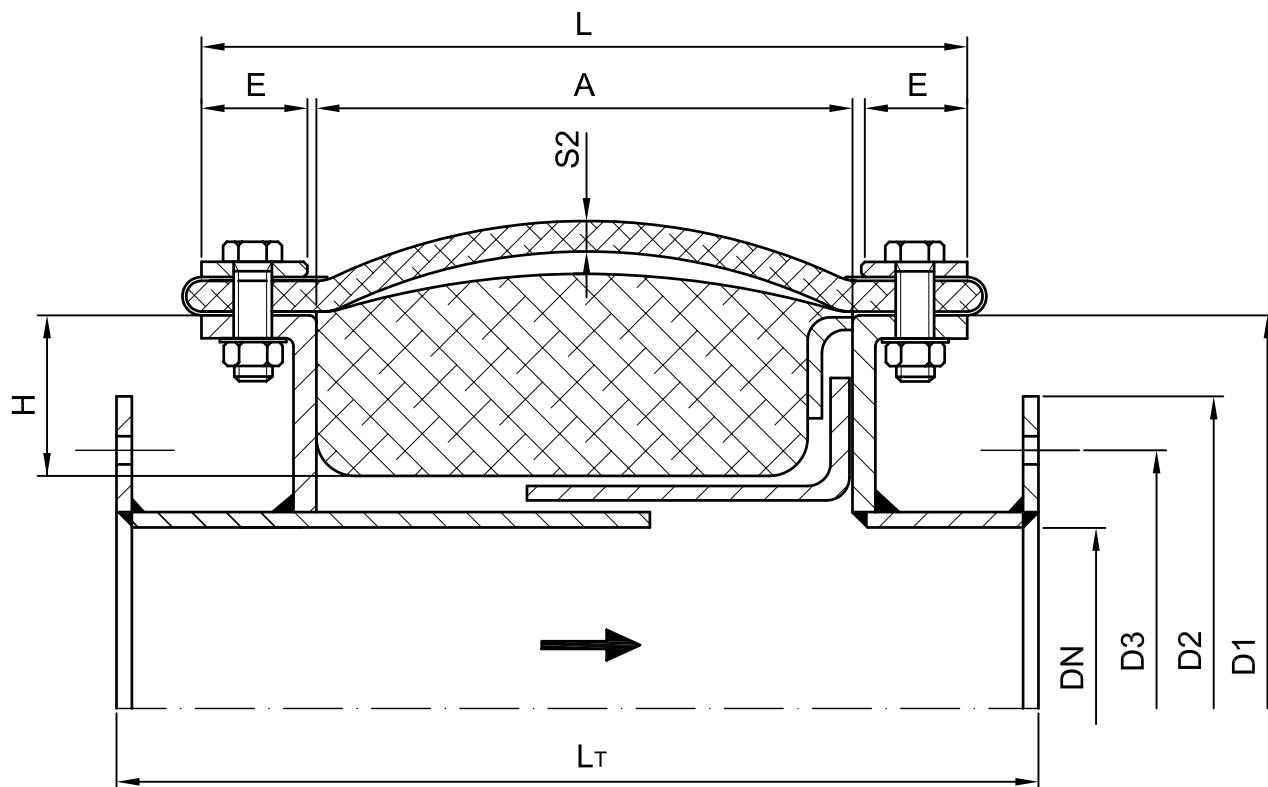
Flanged flow liner and leading edge

**kompaflex-DMM**  
  
 potrubné elementy spol. s r.o.

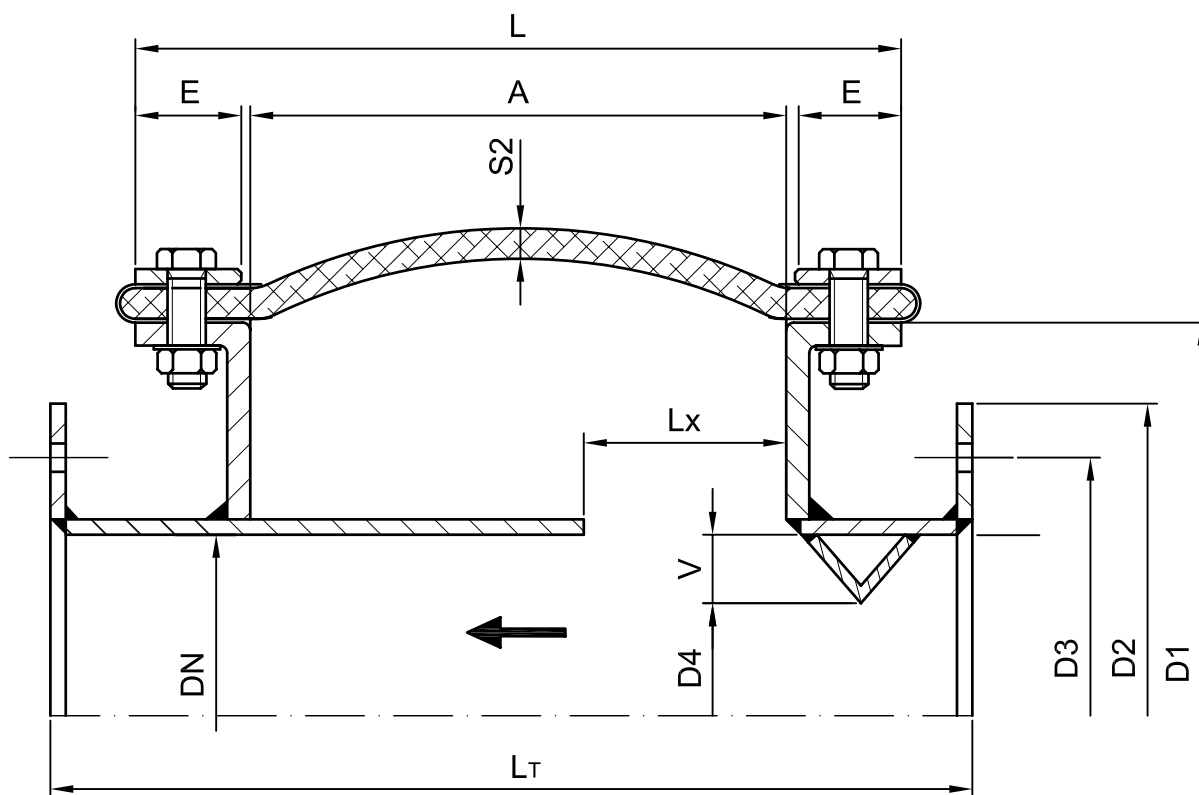
Kompaflex - D.M.M.  
 potrubné elementy spol. s r.o.  
 Lenardova 6  
 851 01 Bratislava  
 Slovenská republika

Prevádzka:  
 Eliášovce č. 6, 930 38 Nový Život  
 tel: +421 (0)31 569 2201, -1134, -1135  
 fax: +421 (0)31 569 2434  
 E-mail: info@kompaflex-dmm.sk  
 www.kompaflex-dmm.sk

Model of flow liners usage



Expansion joint with swimming flow liner

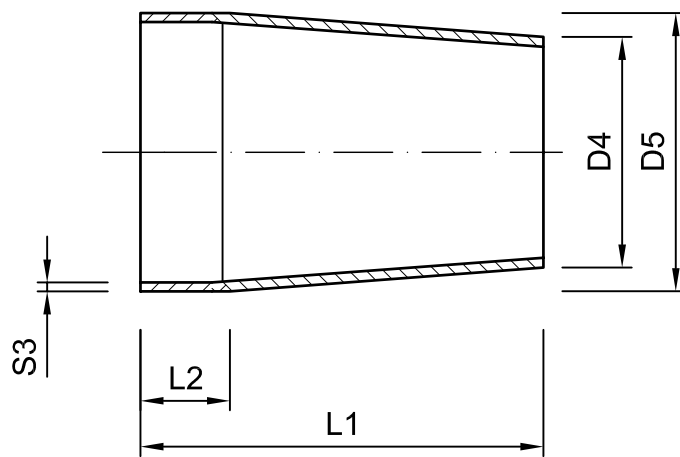
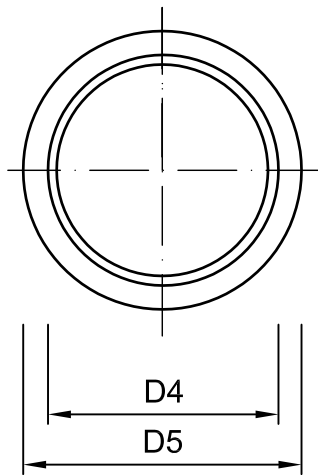


Weld-on flow liner and leading edge

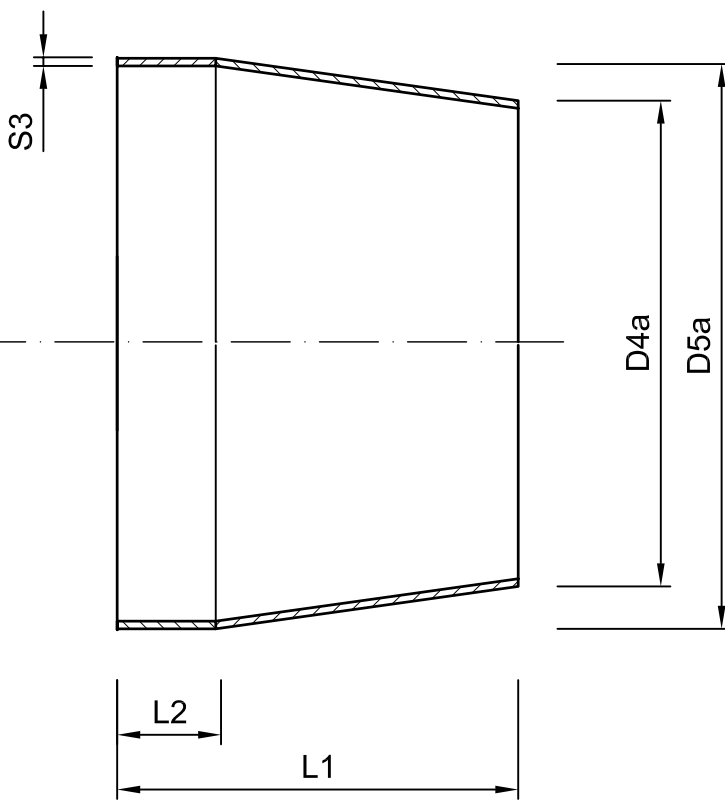
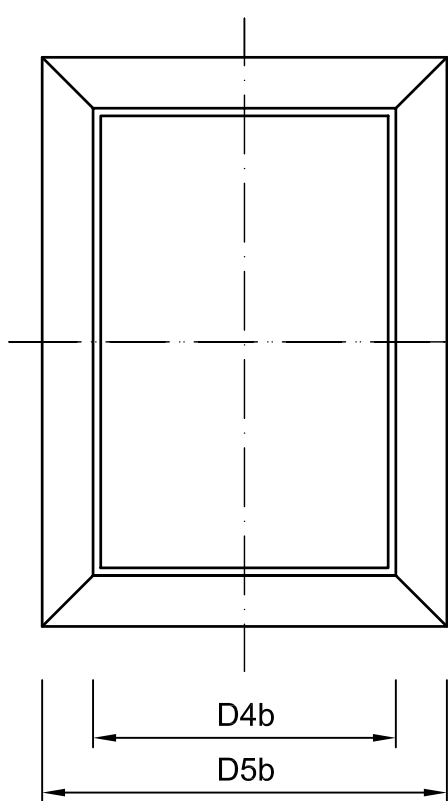
**kompaflex-DMM**  
  
 potrubné elementy spol. s r.o.

Kompaflex - D.M.M.  
 potrubné elementy spol. s r.o.  
 Lenardova 6  
 851 01 Bratislava  
 Slovenská republika

Prevádzka:  
 Eliášovce č. 6, 930 38 Nový Život  
 tel: +421 (0)31 569 2201, -1134, -1135  
 fax: +421 (0)31 569 2434  
 E-mail: info@kompaflex-dmm.sk  
 www.kompaflex-dmm.sk



Circular weld-on flow liner

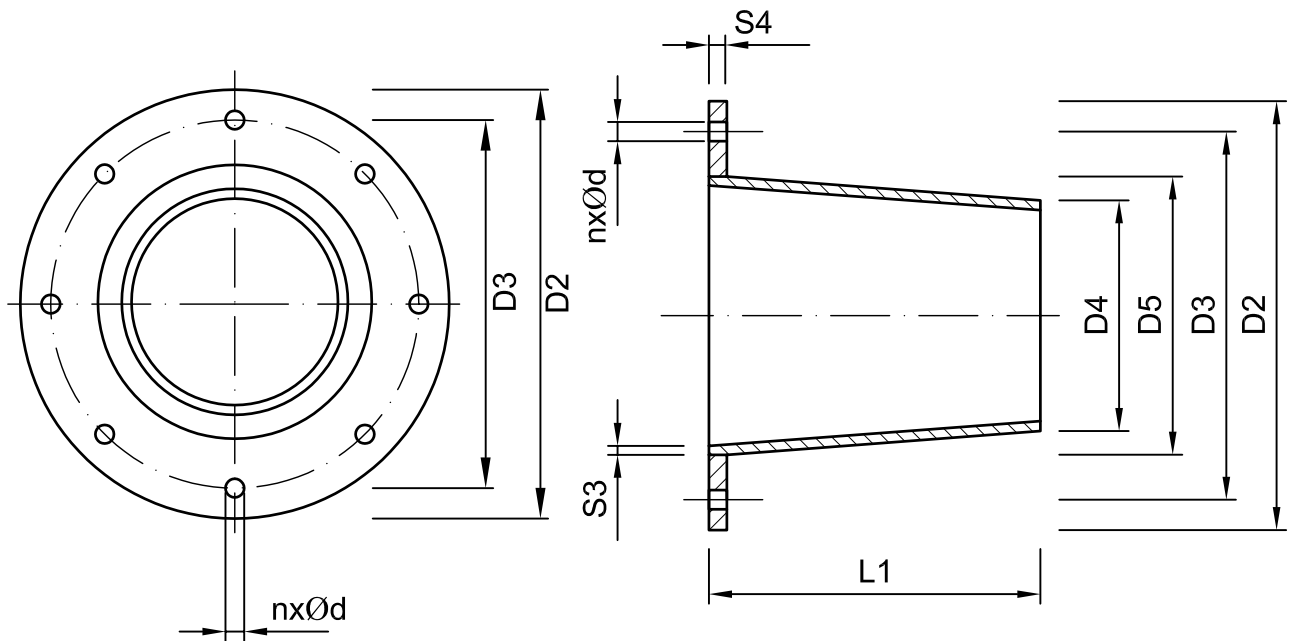


Angular weld-on flow liner

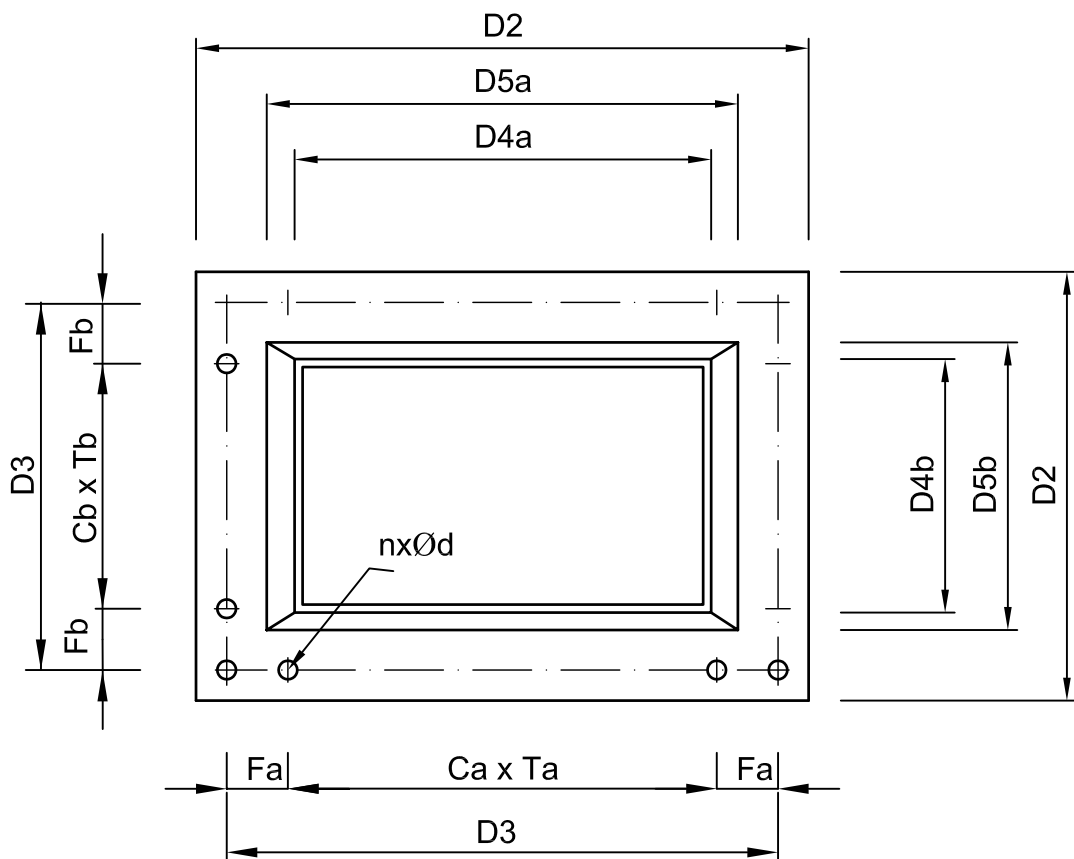
**kompaflex-DMM**  
  
**potrubné elementy spol. s r.o.**

Kompaflex - D.M.M.  
 potrubné elementy spol. s r.o.  
 Lenardova 6  
 851 01 Bratislava  
 Slovenská republika

Prevádzka:  
 Eliášovce č. 6, 930 38 Nový Život  
 tel: +421 (0)31 569 2201, -1134, -1135  
 fax: +421 (0)31 569 2434  
 E-mail: info@kompaflex-dmm.sk  
 www.kompaflex-dmm.sk



Circular flanged flow liner

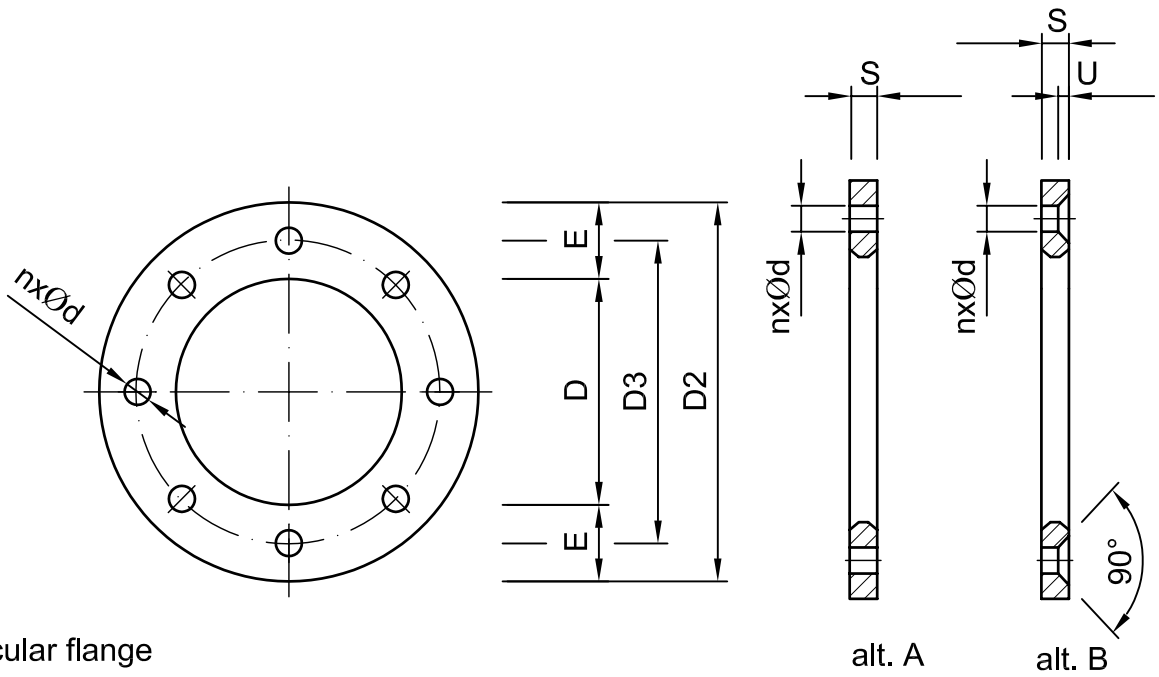


Angular flanged flow liner

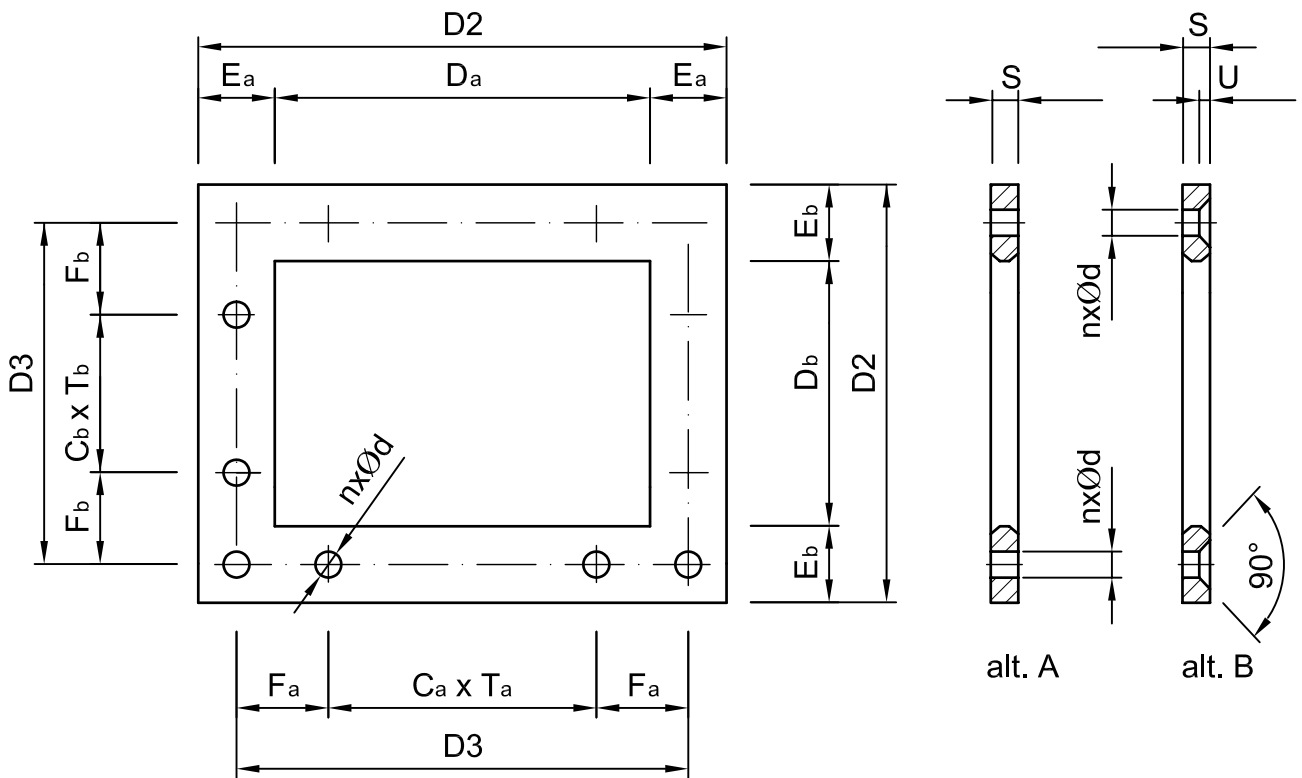
**kompaflex-DMM**  
  
**potrubné elementy spol. s r.o.**

Kompaflex - D.M.M.  
 potrubné elementy spol. s r.o.  
 Lenardova 6  
 851 01 Bratislava  
 Slovenská republika

Prevádzka:  
 Eliášovce č. 6, 930 38 Nový Život  
 tel: +421 (0)31 569 2201, -1134, -1135  
 fax: +421 (0)31 569 2434  
 E-mail: info@kompaflex-dmm.sk  
 www.kompaflex-dmm.sk



Circular flange

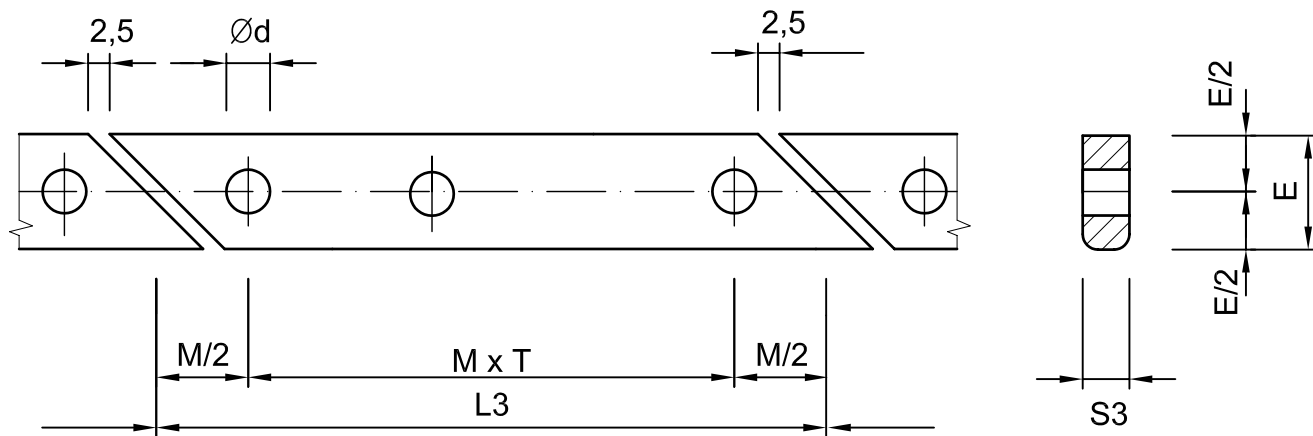


Angular flange

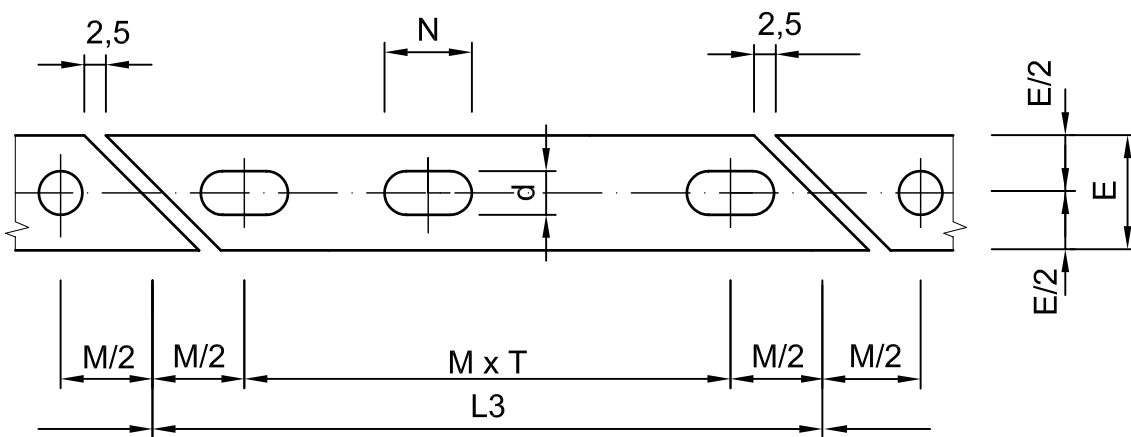
**kompaflex-DMM**  
  
**potrubné elementy spol. s r.o.**

Kompaflex - D.M.M.  
 potrubné elementy spol. s r.o.  
 Lenardova 6  
 851 01 Bratislava  
 Slovenská republika

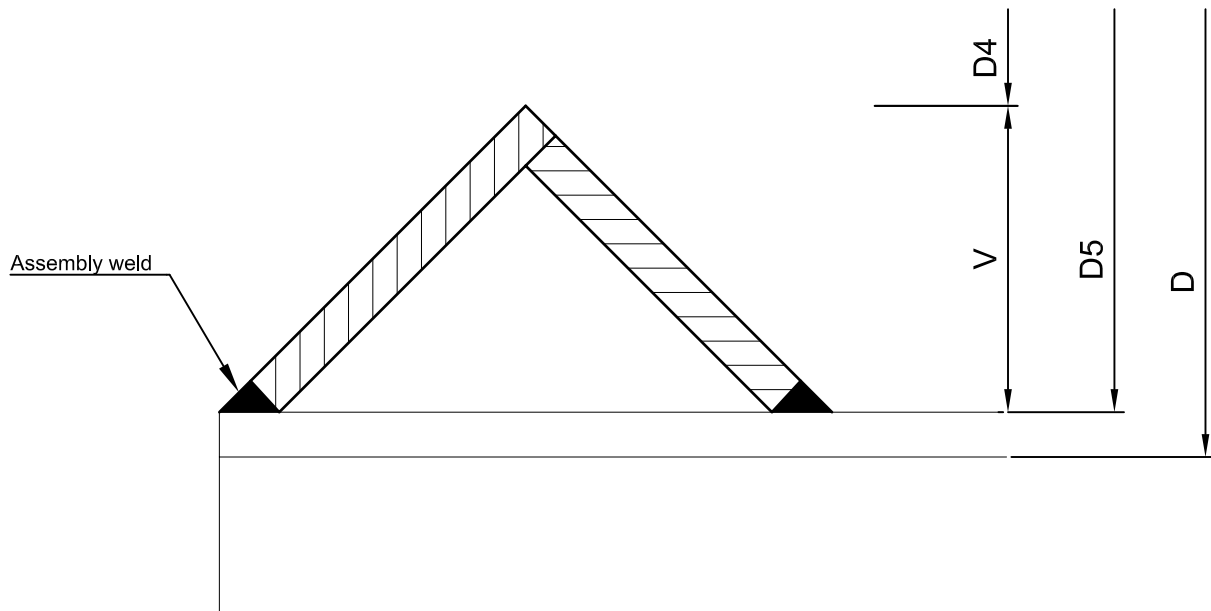
Prevádzka:  
 Eliášovce č. 6, 930 38 Nový Život  
 tel: +421 (0)31 569 2201, -1134, -1135  
 fax: +421 (0)31 569 2434  
 E-mail: info@kompaflex-dmm.sk  
 www.kompaflex-dmm.sk



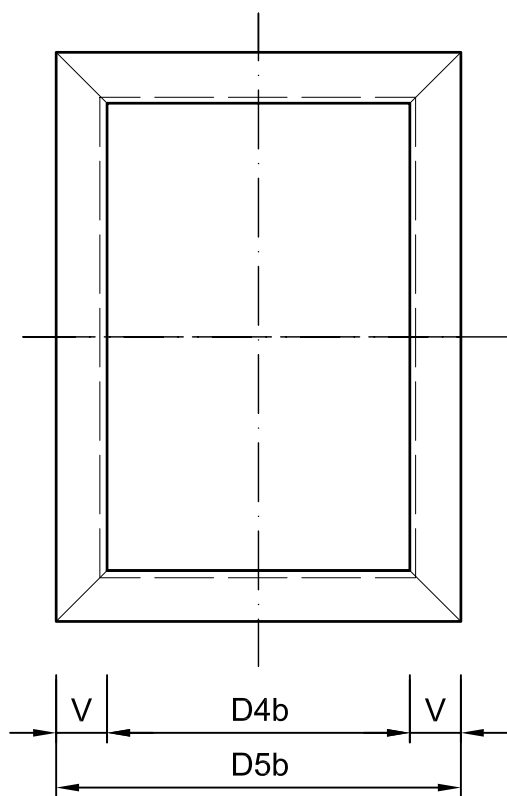
Pressure flange for angular expansion joints



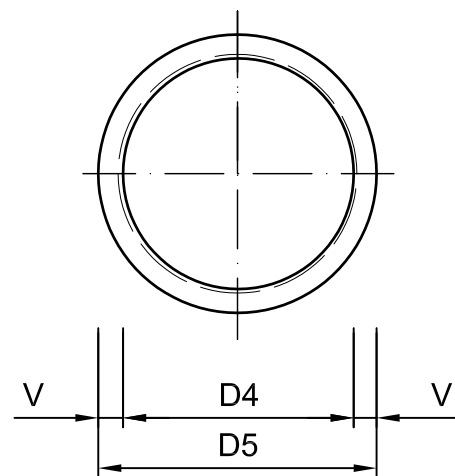
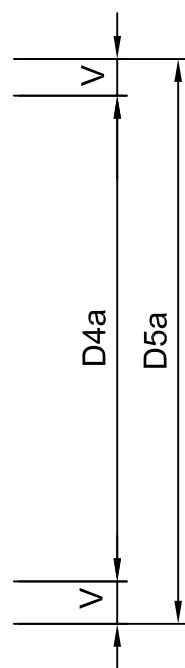
Pressure flange with oval holes assigned for circular segments



Leading edge - detail



Angular leading edge



Circular leading edge

**kompaflex-DMM**  
  
**potrubné elementy spol. s r.o.**

Kompaflex - D.M.M.  
 potrubné elementy spol. s r.o.  
 Lenardova 6  
 851 01 Bratislava  
 Slovenská republika

Prevádzka:  
 Eliášovce č. 6, 930 38 Nový Život  
 tel: +421 (0)31 569 2201, -1134, -1135  
 fax: +421 (0)31 569 2434  
 E-mail: info@kompaflex-dmm.sk  
 www.kompaflex-dmm.sk